

BRINKMANN®

Austin Gas Outdoor Grill

Gril à Gaz de Plein Air

OWNER'S MANUAL / NOTICE D'UTILISATION

**ASSEMBLY AND OPERATING INSTRUCTIONS
INSTRUCTIONS D'ASSEMBLAGE ET D'UTILISATION**

**SAVE THIS MANUAL FOR FUTURE REFERENCE
CONSERVER CETTE NOTICE POUR RÉFÉRENCE**

NOTICE TO INSTALLER:
LEAVE THESE INSTRUCTIONS
WITH THE GRILL OWNER FOR
FUTURE REFERENCE.

AVIS À L'INSTALLATEUR:
REMETTRE CETTE NOTICE AU
PROPRIÉTAIRE POUR QU'IL
PUISSE S'Y RÉFÉRER PLUS TARD.

⚠ WARNING / AVERTISSEMENT


HAZARDOUS EXPLOSION MAY RESULT IF THESE WARNINGS AND INSTRUCTIONS ARE IGNORED. READ AND FOLLOW ALL WARNINGS AND INSTRUCTIONS IN THIS MANUAL TO AVOID PERSONAL INJURY, INCLUDING DEATH OR PROPERTY DAMAGE.

UNE EXPLOSION DANGEREUSE RISQUE DE SE PRODUIRE SI CES AVERTISSEMENTS ET INSTRUCTIONS SONT IGNORÉS. LIRE ET RESPECTER TOUS LES AVERTISSEMENTS ET INSTRUCTIONS DE CETTE NOTICE POUR ÉVITER DES BLESSURES GRAVES, VOIRE MORTELLES, OU DES DÉGÂTS MATÉRIELS.





IMPORTANT SAFETY WARNINGS

WE WANT YOU TO ASSEMBLE AND USE YOUR GRILL AS SAFELY AS POSSIBLE. THE PURPOSE OF THIS SAFETY ALERT SYMBOL  IS TO ATTRACT YOUR ATTENTION TO POSSIBLE HAZARDS AS YOU ASSEMBLE AND USE YOUR GRILL.

WHEN YOU SEE THE SAFETY ALERT SYMBOL  PAY CLOSE ATTENTION TO THE INFORMATION WHICH FOLLOWS!

 READ ALL SAFETY WARNINGS AND INSTRUCTIONS CAREFULLY BEFORE ASSEMBLING AND OPERATING YOUR GRILL.

DANGER

IF YOU SMELL GAS:

1. Shut off gas to the appliance.
2. Extinguish any open flame.
3. Open Lid.
4. If odor continues, keep away from the appliance and immediately call your gas supplier or your fire department.

WARNING

1. DO NOT store or use gasoline or other flammable liquids or vapors in the vicinity of this or any other appliance.
2. An LP cylinder not connected for use shall not be stored in the vicinity of this or any other appliance to avoid the possibility of explosion.

DANGER



- DO NOT store a spare LP gas cylinder under or near this appliance.
- Never fill the cylinder beyond 80% full.
- A fire causing death or serious injury may occur if the above is not followed exactly.

TABLE OF CONTENTS

General Warnings	3
Installation and LP Cylinder Specifications and Safe Use.	4–6
Connecting LP Cylinder and Hose / Regulator to Grill	6–7
Leak Testing.	8–9
Pre-start Check List	9
Lighting Instructions	10–11
Operating Grill and Helpful Hints.	12–14
Proper Care and Maintenance	14–16
Transporting and Storage	16
Trouble Shooting	17
Frequently Asked Questions	18–19
Parts List and Assembly Instructions.	20–31
Grilling Accessories	65
Warranty Information.	Back Cover

⚠ DANGER: Indicates an imminently hazardous situation which, if not avoided, will result in death or serious injury.

⚠ WARNING: Be alert to the possibility of serious bodily injury if the instructions are not followed. Be sure to read and carefully follow all of the messages.

⚠ CAUTION: Indicates a potentially hazardous situation which, if not avoided, may result in minor or moderate injury.

GENERAL WARNINGS

⚠ WARNING

- Never use natural gas in a unit designed for liquid propane gas.
- Never use charcoal briquets or lighter fluid in a gas grill.
- Leak test all connections before first use, even if grill was purchased fully assembled and after each tank refill.
- Never check for leaks using a match or open flame.

⚠ CAUTION! Strong odors, colds, sinus congestion, etc. may prevent the detection of propane. Use caution and common sense when testing for leaks.

- Always keep your gas grill free and clear of gasoline, paint thinner, or other flammable vapors and liquids or combustible materials.
- Always check the grill prior to each use as indicated in the "Pre-Start Check List" section of this manual.
- DO NOT obstruct the flow of combustion or ventilation air.
- Never place more than 15 pounds on the side burner. DO NOT lean on the side burner shelf.
- Keep children and pets away from hot grill. DO NOT allow children to use or play near this grill.
- DO NOT leave the grill unattended while in use.
- DO NOT allow the gas hose to come in contact with hot surfaces.
- DO NOT allow grease from drain hole to fall on hose or valve regulator assembly.
- Keep any electrical supply cords away from water or heated surfaces.
- Keep a fire extinguisher on hand acceptable for use with gas products. Refer to your local authority to determine proper size and type.
- For household use only. DO NOT use this grill for anything other than its intended purpose.
- DO NOT use while under the influence of drugs or alcohol.
- Grill is hot when in use. To avoid burns:
 - DO NOT attempt to move the grill.
 - Lock the wheels so the unit does not accidentally move.
 - Wear protective gloves or oven mitts.
 - DO NOT touch any hot grill surfaces.
 - DO NOT wear loose clothing or allow hair to come in contact with grill.

⚠ USE CAUTION AND COMMON SENSE WHEN OPERATING YOUR GAS GRILL.

FAILURE TO ADHERE TO THE SAFETY WARNINGS AND GUIDELINES IN THIS MANUAL COULD RESULT IN SEVERE BODILY INJURY OR PROPERTY DAMAGE.

SAVE THIS MANUAL FOR FUTURE REFERENCE.

WARNING

- **FOR OUTDOOR USE ONLY. DO NOT** operate indoors or in an enclosed area such as a garage, shed or breezeway.
- Use your grill **OUTDOORS** in a well ventilated space away from dwellings or other buildings to prevent dangers associated with gas accumulation and toxic vapors. We recommend your grill be situated at least 10 feet (3.1 m) from buildings.
- Maintain a minimum clearance of 36 inches (91 cm) between all sides of grill and walls or other combustible material. **DO NOT** use grill under overhead unprotected combustible construction.
- **DO NOT** use or install this grill in or on a recreational vehicle and/or boat.

INSTALLATION INFORMATION:

The installation of this appliance must be in accordance with:

All applicable local codes, or in the absence of local codes, either:

- National Fuel Gas Code ANSI Z223.1 NFPA 54
- Natural Gas and Propane Installation Code: CAN/CGA B149.1
- Natural Gas Installation Code: CAN/CGA B149.1 (Canada)
- Propane Installation Code: CAN/CGA B149.2 (Canada)

To check your local codes, see your local LP gas dealer or natural gas company. This grill was not intended to be connected to a natural gas supply line. If an external electrical source is utilized, it must be electrically grounded in accordance with local codes, or in the absence of local codes, with the National Electrical Code, ANSI/NFPA 70, or the Canadian Electrical Code, CSA 22.1.

WARNING

LP GAS CYLINDER (NOT SUPPLIED WITH THIS GRILL)

The LP cylinder is available for purchase at the same location the grill was purchased.

The LP (Liquid Propane) gas cylinder specifically designed to be used with this grill must have a 20 lb. (9.1 kg) capacity incorporating a Type 1 cylinder valve and an over-filling protection device (OPD).

- **DO NOT** connect this grill to an existing #510 POL cylinder valve with Left Hand threads. The Type 1 valve can be identified with the large external threads on the valve outlet.
- **DO NOT** connect to a propane cylinder exceeding this capacity.
- **DO NOT** connect to a cylinder that uses any other type of valve connection device.

CYLINDER SPECIFICATIONS:

When purchasing or exchanging a cylinder for your gas grill, it must be constructed and marked in accordance with the specifications for LP gas cylinders of the U.S. Department of Transportation (DOT) or the National Standard of Canada, CAN/CSA-B339 Cylinders, Spheres and Tubes for Transportation of Dangerous Goods; and Commission, as applicable; and provided with a listed over-filling prevention device (OPD), and provided with a cylinder connection device compatible with the connection for outdoor cooking appliances.

The cylinder must also be equipped with:

- A shut-off valve terminating in a Type 1 gas cylinder valve outlet.
- A Type 1 valve that prevents gas flow until a positive seal is obtained.
- An arrangement for vapor withdrawal.
- A collar to protect the cylinder shut-off valve.
- A safety relief device having direct communication with the vapor space of the cylinder.
- A listed over-filling prevention device (OPD).

WARNING

- Turn off the cylinder valve when your grill is not in use.
- Handle the tank with care.
- Always secure the cylinder in an upright position.
- Never connect an unregulated LP gas cylinder to your grill.
- DO NOT expose LP gas cylinders to excessive heat or ignition sources.
- DO NOT store a spare LP gas cylinder under or near your grill.
- Allow only qualified LP gas dealers to fill or repair your LP gas cylinder.
- DO NOT allow the cylinder to be filled beyond 80% capacity.
- Read and follow all warnings and instructions that are on the cylinder and that accompany this product.

DANGER

- Never store a spare LP gas cylinder under or near your grill. This could cause excess pressure to be expelled through the vapor relief valve resulting in fire, explosion, or severe personal injury including death.

**NOTE: PROPANE GAS IS HEAVIER THAN AIR AND WILL COLLECT IN LOW AREAS.
PROPER VENTILATION IS EXTREMELY IMPORTANT.**

- Keep the ventilation opening(s) of the LP gas cylinder enclosure free and clear from obstructions and debris.
- DO NOT insert any foreign objects into the valve outlet. Damage to the back-check could result. A damaged back-check can cause a leak, possibly resulting in explosion, fire, severe bodily harm, or death.

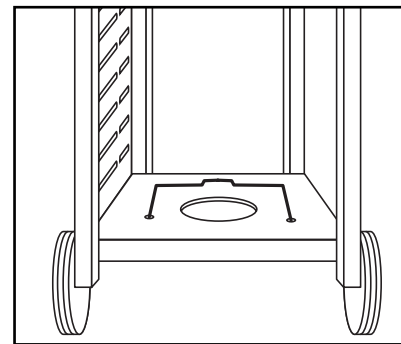
⚠ WARNING

FILLING THE LP GAS CYLINDER:

- Allow only qualified LP gas dealers to properly fill or repair your LP gas cylinder.
- New tanks should be purged prior to filling; inform LP gas dealer if you are using a new tank.
- **DO NOT** allow the cylinder to be filled beyond 80% capacity. Over-filled tanks can create a dangerous condition. Over-filled tanks can build-up pressure and cause the relief valve to expel propane gas vapors. The vapor is combustible and if it comes in contact with a spark source or flame an explosion causing severe burns, bodily harm, or death could occur.
- Always use a protective cylinder cap when grill is not connected to cylinder.
- If you exchange a cylinder with a qualified exchange program, be sure the cylinder has a Type 1 valve and an over-filling prevention device (OPD).

INSTALLING THE LP GAS CYLINDER ONTO THE GRILL:

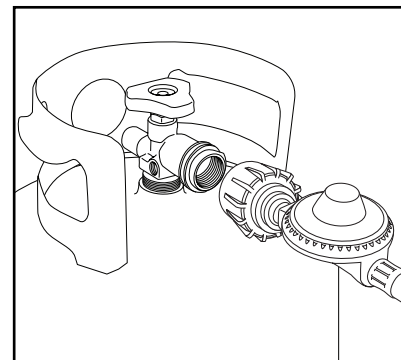
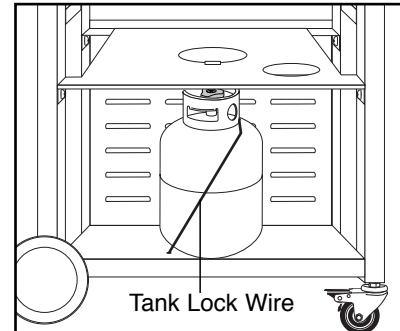
1. Check that the cylinder valve is closed by turning the knob clockwise.
2. Place the cylinder into the tank holder in the bottom of cart base.
3. Orient the cylinder such that the valve opening faces the side burner, and so that the hose is not kinked or damaged.
4. Lift tank lock wire to secure cylinder into tank holder.
5. Attach or detach regulator to the LP gas cylinder only when cylinder is at rest in tank holder.



HOSE AND REGULATOR:

Your grill is equipped with a Type 1 connection device with the following features:

1. The system will not allow gas flow from the cylinder until a positive connection to the valve has been made.
NOTE: The cylinder valve must be turned off before any connection is made or removed.
2. A thermal device that will shut off the gas flow if the device is subject to temperatures above 240°F to 300°F (115°C to 150°C). If this should happen, remove the entire regulator assembly and dispose of properly. A replacement regulator assembly can be purchased by contacting customer service at 800-527-0717. The cause of the excessive heat should be determined and corrected before using your grill again.
3. A regulator flow limiting device, when activated, restricts the flow of gas to 10 cubic feet per hour. If the flow limiting device is activated, perform Regulator Resetting Procedure.



REGULATOR RESETTING PROCEDURE

1. Turn burner control knobs to "OFF", turn off the cylinder valve and disconnect regulator from LP gas tank. Wait approximately two minutes.
2. Reattach regulator and slowly turn cylinder valve back on. The flow limiting device will now be reset.

⚠ WARNING

- Never use your grill without leak testing all gas connections and hoses. See the section on "Leak Testing" in this manual for proper procedures.

⚠ WARNING

The pressure regulator and hose assembly supplied with your gas grill must be used.

- DO NOT attempt to connect it to any other fuel supply source such as a natural gas line.
- DO NOT use any other pressure regulator/hose assembly other than the one supplied with your grill. Replacement pressure regulator/hose assembly must be part No 155-2400-0, which can be obtained by contacting customer service at 800-527-0717.
- DO NOT attempt to adjust or repair the regulator. The regulator is designed to operate at a maximum output pressure of 11 inches of water column (2.74 kPa).

During assembly and/or replacement of the gas cylinder, keep the gas supply hose free of kinks and/or damage.

Visually inspect the hose assembly prior to each use for evidence of damage, excess wear, or deterioration. If found, replace the assembly before using your grill. Only the manufacturer's supplied replacement should be used.

⚠ WARNING

CONNECTING HOSE AND REGULATOR TO AN LP GAS CYLINDER

- Ensure the tank valve is **CLOSED** prior to connecting the LP gas cylinder to your grill. Turn the valve knob clockwise to properly close the valve. Read and follow all instructions and warnings on the supply hose safety tags. Read and follow all warnings in this manual concerning the safe use of LP gas cylinders and the hose and regulator before connecting cylinder to grill. Read and follow all warnings on the LP cylinder.

CONNECTING HOSE AND REGULATOR

1. Check that the cylinder valve is closed by turning the knob clockwise.
2. Check that the grill's burner control knobs are in the "OFF" positions.
3. Remove the protective plastic cap from the cylinder valve and the connection device.
4. Hold regulator and insert the nipple of connection device into the LP cylinder valve outlet. Ensure that the device is centered properly.
5. Turn the large coupling nut clockwise by hand and tighten to a full stop. Take care not to cross thread the coupling nut onto the cylinder valve. Do not over-tighten the knob onto the valve. Do not use tools to tighten connection.

NOTE: If you are unable to make the connection, repeat Steps 4 and 5.

6. Check that the hose does not contain kinks, does not contact sharp edges, and does not contact surfaces that may become hot during use.
7. Leak check all fittings before lighting your grill. See section on "Leak Testing" in this manual.

⚠ DANGER

LEAK TESTING:

To prevent fire or explosion hazard:

- **DO NOT** smoke or permit ignition sources in the area while conducting a leak test.
- Perform test **OUTDOORS** only in a well ventilated area.
- Never perform a leak test with a match or open flame.
- Never perform a leak test while the grill is in use or while grill is still hot.

⚠ WARNING

WHEN TO PERFORM A LEAK TEST:

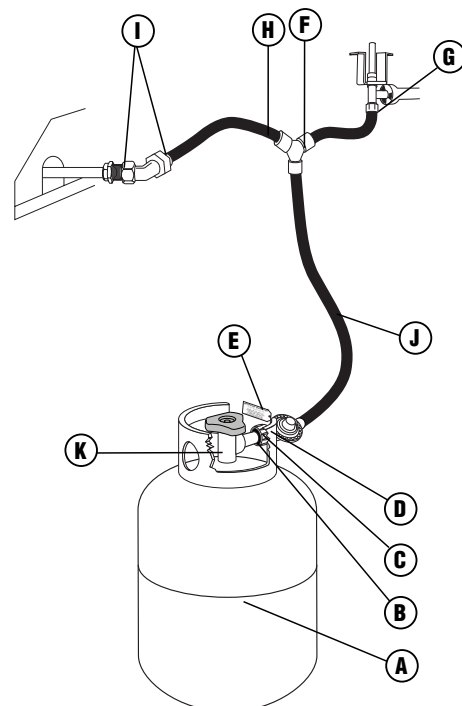
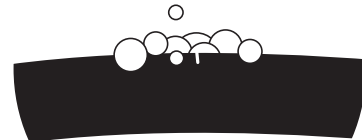
- After assembling your grill and before lighting for the first time, even if purchased fully assembled.
- Every time the LP gas cylinder is refilled or if any of the gas components are replaced.
- Any time your grill has been moved.
- At least once per year or if your grill has not been used for more than 60 days.

CHECKING FOR LEAKS:

1. Create a mixture of 50% water and 50% liquid dishwashing soap.
2. Open the lid.
3. Ensure all control knobs are set to the "OFF" position.
4. Turn on the fuel supply at the cylinder valve. Turn the cylinder valve knob one turn counter-clockwise.
5. Apply the soap water mixture to the following:

- Ⓐ Supply tank (cylinder) weld.
- Ⓑ Connection nut to tank valve.
- Ⓒ Back side of connection nut to brass nipple.
- Ⓓ Brass nipple connection into regulator.
- Ⓔ Regulator connections to gas supply hoses.
- Ⓕ Gas supply hose connection to side burner valve assembly.
- Ⓖ Side burner valve stem cap.
- Ⓗ Side burner connection to hose.
- Ⓘ Hose connection to gas manifold.
- Ⓝ The full length of gas supply hose.
- Ⓚ Tank valve to cylinder.

Watch For Bubbles



6. Check each place listed (A–K) for growing bubbles which indicates a leak.
7. Turn off gas supply at cylinder valve.
8. Turn on control knobs to release gas pressure in hose.
9. Turn control knobs to "OFF" position.
10. Tighten any leaking connections.
11. Repeat soapy water test until no leaks are detected.
12. Turn off gas supply at cylinder valve until you are ready to use your grill.
13. Wash off soapy residue with cold water and towel dry.
14. Wait 5 minutes to allow all gas to evacuate the area before lighting grill.

⚠ CAUTION! **DO NOT** use the grill if leaks cannot be stopped. Contact a qualified gas appliance repair service.

NOTE: The leak test must be performed in an area that has adequate lighting in order to see if bubbles are developing. **DO NOT** use a flashlight to check for bubbles.

⚠ WARNING

PRE-START CHECK LIST:

Property damage, bodily harm, severe burns, and death could result from failure to follow these safety steps. These steps should be performed after the grill has been assembled and prior to each use. DO NOT operate this grill until you have read and understand ALL of the warnings and instructions in this manual.

PRE-START CHECK LIST:

- Ensure that the grill is properly assembled.
- Inspect the gas supply hose for burns, chaffing, kinks, and proper routing before each use. If it is evident there is excessive abrasion or wear, or the hose is cut, it must be replaced prior the grill being used. Replace with hose and regulator, Model No. 155-2400-0, which can be obtained by contacting customer service at 800-527-0717.
- Leak check all gas connections and hose. See section on "Leak Testing".
- Ensure that all electrical supply cords are properly grounded. Keep any electrical supply cord and the fuel supply hose away from any heated surfaces. Hose should be at least 3 inches from hot surfaces.
- Position your grill on level ground in a well ventilated location, a safe distance from combustible materials, buildings and overhangs.
- Properly place the empty grease tray under the grease drain hole in the bottom of the grill to catch grease during use.
- **DO NOT** obstruct the flow of combustion and ventilation air.

⚠ WARNING

Read, understand and follow all warnings and instructions contained in this manual. **DO NOT** skip any of the warnings and instructions contained in the preceding sections of this manual.

⚠ WARNING

LIGHTING INSTRUCTIONS:

Follow the instructions exactly.

1. **OPEN THE GRILL LID** before attempting to light a burner so that fumes do not accumulate inside the grill. An explosion could occur if grill lid is down.
2. Check that all burner control knobs and the cylinder valve are turned to the "OFF" position.
3. Turn on the fuel supply by rotating the cylinder valve knob counter-clockwise to full open.
4. **DO NOT** stand with head, body, or arms over the grill when lighting.

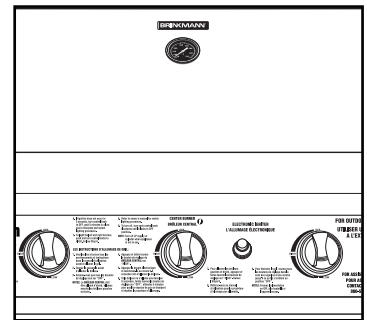
LIGHTING THE MAIN BURNERS:

1. Open lid before lighting burner.
2. Make sure all control knobs are in the "OFF" position.

NOTE: The CENTER BURNER must be lit first, then light the left and right burners.

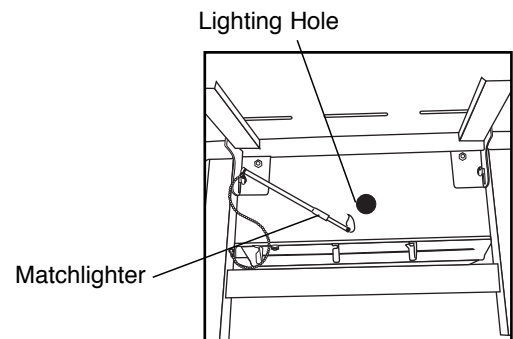
3. Push and turn the control knob for the CENTER BURNER to the "HIGH" position.
4. Press the electronic igniter and hold for 3–5 seconds to light burner.
5. If ignition does NOT occur in 5 seconds, turn control knob to "OFF", wait 5 minutes to allow gas to dissipate and repeat lighting procedure.
6. If the CENTER BURNER does not ignite using the push-button igniter, wait 5 minutes, see "Match Lighting the Main Burners" section.
7. To light the left and right burners, push and turn control knobs to HIGH. Follow Step 5.
8. To turn off, turn each control knob clockwise until it locks in the "OFF" position. This does not turn off the gas flow from the cylinder.

NOTE: If burner does not light or flame is too low, you may have spider or other insect blockage in burner, or the flow limiting device has been activated. See "Burner Assembly/Maintenance" under Proper Care and Maintenance, or "Regulator Resetting Procedure" under Connecting LP Cylinder and Hose/Regulator to Grill.



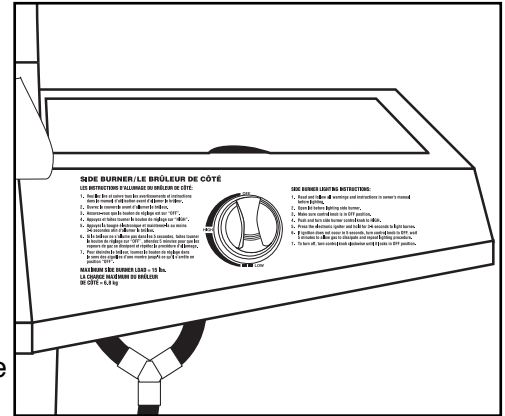
MATCH LIGHTING THE MAIN BURNERS:

1. Open lid before lighting.
2. Turn the burner control knobs to "OFF".
3. Place a paper match in the end of the matchlighter. Strike the match and place through lighting hole in the left hand side of the grill to approximately 1/2" (1 to 2 cm) from the burner.
4. Turn on the **FAR LEFT** burner control knob to the "HIGH" position. The burner should light within 5 seconds.
5. If the burner does not light, turn the control knob to "OFF" and wait 5 minutes for gas to dissipate and repeat lighting procedure.
6. Once lit, light adjacent burners in sequence by pressing in and rotating the control knob to the "HIGH" position.
7. If the burner does not light within the first few attempts of match lighting, there is a problem with the gas supply. Turn off the gas at the burner **and** cylinder. **DO NOT** attempt to operate the grill until the problem is found and corrected. See "Trouble Shooting" section of this manual.



LIGHTING THE SIDE BURNER:

1. Open lid before lighting side burner.
2. Make sure control knob is in the "OFF" position.
3. Push and turn side burner control knob to the "HIGH" position.
4. Press the electronic igniter on the main control panel and hold for 3–5 seconds to light burner.
5. If ignition does NOT occur in 5 seconds, turn control knob to "OFF", wait 5 minutes to allow gas to dissipate and repeat lighting procedure.
6. To turn off, turn each control knob clockwise until it locks in the "OFF" position.



NOTE: If burner does not light or flame is too low, you may have spider or other insect blockage in burner, or the flow limiting device has been activated. See "Burner Assembly/Maintenance" under Proper Care and Maintenance, or "Regulator Resetting Procedure" under Connecting LP Cylinder and Hose/Regulator to Grill.

MATCH LIGHTING THE SIDE BURNER:

1. Open the lid to the side burner before lighting.
2. Turn the burner control knob to "OFF".
3. Strike and carefully place a match approximately 1/2" (1 to 2 cm) from the burner.
4. Turn the side burner control knob to the "HIGH" position. The burner should light within 5 seconds.
5. If the burner does not light, turn the control knob to "OFF" and wait 5 minutes for gas to dissipate and repeat lighting procedure.
6. If the burner does not light within the first few attempts of match lighting, there is a problem with the gas supply. Turn off the gas at the burner and cylinder. **DO NOT** attempt to operate the grill until the problem is found and corrected. See "Trouble Shooting" section of this manual.

NOTE: Observe flame height when lit: Flame should be a Blue/Yellow color between 1"–2" when burner is on "HIGH".



TURNING OFF THE GRILL:

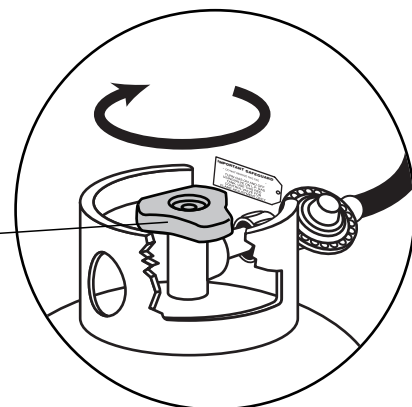
1. Turn off the cylinder valve.
2. Turn all burner control knobs to the "OFF" position.

NOTE: Turn off LP cylinder first to prevent gas from being left in the system under pressure.

⚠ CAUTION!

- The cylinder valve should always be in the off, or closed, position when the grill is not in use.

To turn off the cylinder valve, turn knob clockwise until it stops.



⚠ WARNING

OPERATING THE GRILL:

Never use Charcoal or Lighter Fluid inside your Gas Grill. Read and follow all warnings and instructions contained in the preceding sections of this manual.

BREAKING IN YOUR GRILL:

- In manufacturing and preserving the components of your grill, oil residue may be present on the burner and cooking surfaces of your grill.
- Before cooking on your grill for the first time you should preheat it for 15 minutes on "HIGH" to burn off these residual oils.

PREHEATING THE GRILL:

- Prior to use, it is recommended that you preheat your grill. This ensures that the grilling surfaces are at the desired temperatures to sear the food sugars when cooking. After lighting your grill, set the main burner control knobs to the "HIGH" position for 10 to 15 minutes. Close the cover during the preheat period.

CONTROLLING FLARE-UPS:

- Flare-ups are a part of cooking meats on a gas grill. This adds to the unique flavor of cooking on a gas grill. Excessive flare-ups can over-cook your food and cause a dangerous situation for you and your grill. Excessive flare-ups result from the build-up of grease in the bottom of your grill. If this should occur, **DO NOT** pour water onto the flames. This can cause the grease to splatter and could result in serious burns or bodily harm. If grease fire occurs close the lid and turn off the main burners until the grease burns out. Use caution when opening the lid as sudden flare-ups may occur.

⚠ WARNING

- **DO NOT** leave your grill unattended while in use.
- **DO NOT** move grill when in use. Lock wheels in place to stabilize grill.
- **DO NOT** use water to extinguish flare-ups.
- Have fire extinguisher readily accessible suitable for use with gas appliances.

TO MINIMIZE FLARE-UPS:

- Trim excess fat from meats prior to cooking.
- Cook meats with high fat contents (chicken or pork) on Low settings or indirectly.
- Ensure that your grill is on level ground and the grease is allowed to evacuate the grill through the drain hole in the bottom and into grease cup.

INDIRECT COOKING:

- Indirect cooking is the process of cooking your food without the heat source being directly under your food. You can sear meats over a high flame on one side of the grill while slow cooking a roast on the other (unlit) side of the grill.

ROTISSERIE COOKING:

- Your grill was pre-drilled from factory to include mounting holes for a rotisserie (sold separately). Do not use a rotisserie not specifically manufactured for this grill.
- Read and follow all instructions provided with the rotisserie. Save instructions for future reference.
- Do not use the side burner when using a rotisserie.

⚠ WARNING

- When using an AC current rotisserie, it must be electrically grounded in accordance with local codes, or in the absence of local codes:
 - In the US: The National Electrical Code – ANSI-NFPA No. 70 – Latest Edition
 - In Canada: the Canadian Electrical Code – CSA C22.1
- The Rotisserie is equipped with a three pronged plug for your protection against electrical shock. This plug should be plugged directly into a properly grounded 3 prong receptacle. Never cut or remove the grounding plug. Any extension cord must also have a 3 prong receptacle.
- All electrical supply cords should be kept away from water and any hot surfaces of the grill.

USING OTHER FEATURES OF THE GRILL:

THE SIDE BURNER:

- The side burner can be used to prepare side dishes such as beans, potatoes, corn, or to warm sauces.
- The burner valve can be adjusted from high to low depending upon your cooking demands.

⚠ WARNING

- Read instructions on lighting your grill to light the side burner.
- Never close the side burner cover when the burner is lit.
- Use a 10" diameter pot or smaller that does NOT have an extended handle when cooking on the side burner. Center pot over burner.
- Never place more than 15 pounds on the side burner. The side burner is not constructed to hold weight exceeding 15 pounds.
- Use caution to avoid bumping grill, side burner or pot to prevent pot from spilling contents possibly leading to severe burns.
- DO NOT use side burner to deep fry food in oil to avoid dangers associated with oil igniting creating a very dangerous situation.

GRILL COOKING TIPS

CLEANLINESS

- Always wash hands thoroughly with soap and hot water prior to handling food and after handling raw meat, uncooked poultry or seafood.
- When using a platter to carry raw meat, uncooked poultry or seafood to the grill, make sure to wash the platter thoroughly with soap and hot water before placing cooked foods back on the platter or use different platters for raw and cooked foods.
- Never use the same utensils when handling raw meat, uncooked poultry or seafood unless you wash the utensils thoroughly with soap and hot water.
- Never re-use marinade from raw meat or uncooked poultry on foods that have been cooked and are ready to be served.

GRILLING TO PROPER TEMPERATURE

- Use a meat thermometer to be sure food has reached a safe internal temperature. You may order a Commercial-quality thermometer from Brinkmann. For more information on this product and other Brinkmann accessories, please refer to the accessory pages at the end of this manual.
- The US Department of Agriculture recommends the **minimum** temperature be reached for the following food items:

Chops	145 degrees F
Ground Meat	160 degrees F
Pork	160 degrees F
Poultry	180 degrees F
Roasts	145 degrees F
Seafood	140 degrees F
Vegetables	145 degrees F

HELPFUL HINTS

- If you pre-cook meat or poultry, do so immediately before grilling.
- Never defrost meat at room temperature or on a countertop.
- Refrigerate leftovers within 2 hours of taking food off the grill.
- For additional information, please phone the USDA's toll free Meat & Poultry Hotline at 800-535-4555.

PROPER CARE & MAINTENANCE

- To protect your grill from excessive rust, the unit must be kept clean and covered at all times when not in use. A grill cover may be ordered directly from Brinkmann by calling 800-468-5252 or 800-527-0717.
- Wash cooking grills and heat distribution plates with hot, soapy water, rinse well and dry. Lightly coat cooking grill with vegetable oil or vegetable oil spray.
- Clean inside and outside of grill by wiping off with a damp cloth. Apply a light coat of vegetable oil or vegetable oil spray to the interior surface to prevent rusting.
- The stainless steel exterior surface of your grill, can be cleaned with stainless steel cleaner.
- If rust appears on the exterior painted surface of your grill, clean and buff the affected area with steel wool or fine grit emery cloth. Touch-up with a good quality high-temperature resistant paint.
- Never apply paint to the interior surface. Rust spots on the interior surface can be buffed, cleaned, then lightly coated with vegetable oil or vegetable oil spray to minimize rusting.

CLEANING AND MAINTENANCE:

- Keep the appliance free and clear of combustible materials, gasoline and other flammable vapors and liquids.
- Keep the ventilation openings of the cylinder enclosure free and clear of debris.
- Visually check burner flames for proper operation (see pictorial in "Burner Assembly/Maintenance" under Proper Care and Maintenance). Spiders or other insects can nest in the burner causing gas blockage.
- For safe grilling and peak performance of your grill, perform these checks at least twice per year or after extended periods of storage.
- Be sure to tighten up all hardware (nuts, bolts, screws, etc.) at least twice per year.

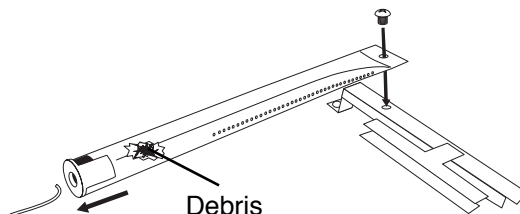
⚠ CAUTION! Some parts may contain sharp edges. Wear protective gloves if necessary.

- Remove the cooking grills, heat distribution plates, and burners from inside your grill. Use a brush with hot water and detergent to remove excess residue. NEVER use a commercial oven cleaner. Rinse completely with water. Towel dry and replace all components as described in the assembly instructions.

BURNER ASSEMBLY/MAINTENANCE

- Although your burners are constructed of stainless steel, they may rust as a result of the extreme heat and acids from cooking foods. Regularly inspect the burners for cracks, abnormal holes, and other signs of corrosion damage. If found, replace the burner.
- **DO NOT obstruct the flow of combustion and ventilation air.** Burner tubes can become blocked by spiders and other insects building their nests. Blocked burner tubes can prevent gas flow to the burners and could result in a burner tube fire or fire beneath the grill. To clean the Burner Assembly follow these instructions to clean and/or replace parts of burner assembly or if you have trouble igniting the grill.

1. Turn gas off at control knobs and LP cylinder tank valve.
2. Remove cooking grills and heat distribution plates.
3. Remove screws from each burner "foot" using a screwdriver.
4. Carefully lift each burner up and away from valve openings.
5. Use a narrow bottle brush or a stiff wire bent into a small hook to run through each burner tube and flame port several times.

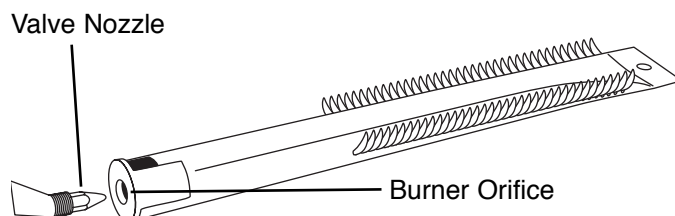


NOTE: Wear eye protection when performing procedure 6.

6. Use compressed air to blow into burner tube and out the flame ports. Check each port to make sure air comes out each hole.
7. Wire brush entire outer surface of burner to remove food residue and dirt.
8. Check burner for damage, if any large cracks or holes are found replace burner.

IMPORTANT: Burner opening must slide over valve nozzle.

9. Carefully replace burners.
10. Replace screws in each burner and follow the "Gas Leak Testing" section of this manual. Relight burners to verify proper operation.
11. Replace heat distribution plates and cooking grills.



PROPER BURNER OPERATION

COOKING GRILLS

- Clean with mild soap detergent and water. A brass bristled brush or a nylon cleaning pad can be used to remove residue from the stainless steel surfaces. Do not use steel wire bristles to clean the cooking grills. Steel can cause the finish to chip or crack. DO NOT use a commercial oven cleaner.

HEAT DISTRIBUTION PLATES

- Periodically, it may be necessary to inspect and clean the heat distribution plate to prevent excess grease build-up. When the grill is cold, remove the cooking grill. Inspect the heat distribution plates and replace if broken or damaged. Do not allow heat distribution plates to become damaged to the extent that they may fall through onto the burners. Replace the heat distribution plates and cooking grills and light the burners. Operate the grill on "HIGH" for 10 minutes to remove the excess grease.

WARNING

TRANSPORTING AND STORAGE:

- Never move a grill when it is hot or when objects are on the cooking surfaces.
- Make sure that cylinder valve is shut off. After moving the grill check that all gas connections are free of leaks. Refer to instructions for Leak Testing.
- DO NOT store a spare LP gas cylinder (filled or empty) under or near the grill.
- Never store flammable liquids or spray canisters under or near the grill.
- DO NOT extinguish grease fires using water.
- If the outdoor cooking gas appliance is not in use, the gas must be turned off at the supply cylinder.
- Storage of an outdoor cooking gas appliance indoors is permissible only if the cylinder is disconnected and removed from the outdoor cooking gas appliance.
- Cylinders must be stored outdoors out of reach of children and must not be stored in a building, garage or any other enclosed area.
- When removing the grill from storage, spider webs or other debris may be blocking the burner. See "Burner Assembly/Maintenance" under Proper Care and Maintenance.

BEFORE STORING YOUR GRILL:

- Ensure that the cylinder valve is fully closed.
- Clean all surfaces.
- Lightly coat the burners with cooking oil to prevent excess rusting.
- If storing the grill indoors, disconnect the LP tank and leave the LP tank OUTDOORS.
- Place a protective cap cover on the LP tank and store the tank outdoors in a well ventilated area out of direct sunlight.
- Clean burner prior to use after storing, at the beginning of grilling season or after a period of one month not being used. Spiders and insects like to build nests in burner tubes (especially during colder months). These nests can cause fires in burner tubes or under grill.
- If storing the grill outdoors, cover the grill with a grill cover for protection from the weather. A grill cover may be ordered directly from Brinkmann by calling 800-468-5252 or 800-527-0717.

TROUBLE SHOOTING

Problem:	Possible Causes:
<ul style="list-style-type: none"> • Burner will not light 	<ol style="list-style-type: none"> 1. Check LP cylinder fuel level. 2. Bad electrode spark. Check to see if the grill will match light. Electrode or collector may need adjustment. 3. Burner may not be properly seated. 4. Burner may be obstructed. 5. The cylinder valve may be closed. 6. Regulator is not properly seated on cylinder valve.
<ul style="list-style-type: none"> • Fire at control knob 	<ol style="list-style-type: none"> 1. Burner holes may be obstructed. See section on "Burner Assembly/Maintenance" under Proper Care and Maintenance. 2. Burner is improperly seated on control valve. 3. Gas connections may be loose. Leak Check and tighten all connections.
<ul style="list-style-type: none"> • Yellow Flames at burner 	<ol style="list-style-type: none"> 1. Burner is obstructed. See section on "Burner Assembly/Maintenance" under Proper Care and Maintenance.
<ul style="list-style-type: none"> • Flame blows out on "LOW" 	<ol style="list-style-type: none"> 1. Burner holes may be obstructed. See section on "Burner Assembly/Maintenance" under Proper Care and Maintenance. 2. Grill is not sufficiently preheated. 3. Burner is improperly seated on control valve.
<ul style="list-style-type: none"> • Burner does not get hot enough 	<ol style="list-style-type: none"> 1. Flow control device has been activated in regulator. See Regulator Resetting Procedure under Connecting LP Cylinder and Hose/Regulator to Grill.
<ul style="list-style-type: none"> • Grill is Too Hot 	<ol style="list-style-type: none"> 1. Excess grease build-up causing grease fires. 2. Damaged or faulty regulator. Replace with factory authorized parts. 3. Cook on a lower temperature setting.

FREQUENTLY ASKED QUESTIONS

Your grill's serial number and model number, and the contact information for Brinkmann Customer Service, are listed on a silver label found on the back of the grill or on the grill body side, under the side shelf.

These questions and answers are for your general knowledge, and may not be applicable to your model grill.

Question: Why does my grill not light properly?

Answer: Always follow lighting instructions as listed on the control panel or in this manual. Also check these causes:

- Check LP gas supply.
- Check to ensure all gas connections are secure.
- The igniter AA battery may need replacing.
- Ignition wires may be loose. Remove the battery, inspect the igniter junction box found behind the control panel and connect any loose wires.
- Spark electrode tips may need repositioning. With the gas supply closed and control knob set to the "OFF" position, press the igniter button and have another person watch for the presence of a spark at the electrode tips. The gap between the spark electrode tip and spark receiver should be about 3/16". If the electrode tip needs to be adjusted, bend it to the appropriate gap distance.
- Check that the end of each burner venturi tube is properly located over its gas valve orifice fitting.
- There may be an obstruction in the gas line. To correct this, remove LP gas hose / regulator or natural gas fuel line from your grill. Open gas supply for one second to test for obstruction. If no obstruction is present, reconnect fuel line. If the fuel line is blocked, replace with a new hose / regulator assembly.
- If an obstruction is suspected in the hose / regulator assembly, orifice or gas valves call Brinkmann Customer Service at 800-527-0717.

Question: Why does my LP gas grill have a low flame or a flame with orange / yellow color?

Answer: You need to purge air from the gas line or reset the regulator's flow limiting device. Opening the cylinder valve all the way or too quickly triggers the regulator's flow limiting device to shut down the gas flow, which prevents excessive gas flow to your grill. NOTE: This procedure should be done every time a new LP gas tank is connected to your grill:

RESETTING THE REGULATOR FLOW LIMITING DEVICE

- Turn control knob to the "OFF" position.
- Turn off the LP gas tank at the cylinder valve.
- Disconnect regulator from LP gas tank.
- Let tank stand for two minutes.
- Reconnect regulator to the LP gas tank.
- Open grill lid or side burner lid. Turn the cylinder valve on slowly until 1/4 or 1/2 open.
- Light the grill by following the instructions on your control panel or in this owner's manual.

Question: How and when do I clean the interior cooking components of my grill?

Answer: Use a fiber or brass cleaning brush to clean the interior or the grill, cooking grills, heat distribution plates and grease containers. Never use a wire brush or metal scraper on porcelain-finished parts, as they can scratch or chip the porcelain finish and promote rusting.

FREQUENTLY ASKED QUESTIONS

Cleaning Stainless Steel Cooking Grills: Wash grills with a mild detergent and rinse with hot water before initial use and as needed. DO NOT use a commercial oven cleaner. For stubborn food residue, use a degreaser and fiber or brass cleaning brush.

Cleaning Porcelain-Finished Cast-Iron Cooking Grills: Wash grills with a mild detergent and rinse with hot water before initial use and as needed. For stubborn food residue, use a degreaser and fiber or brass cleaning brush. Dry immediately using a soft cloth or paper towels.

Cleaning Heat Distribution Plate: Heat distribution plates should be cleaned whenever food or grease drippings accumulate to reduce the chance of flare-ups. Wash heat distribution plates with a mild detergent and rinse with hot water. Use a degreaser and fiber or brass cleaning brush to remove stubborn food residue. Do not use a wire brush or metal scraper on porcelain-finished heat distribution plates, as they can scratch or chip the porcelain finish and promote rusting.

Cleaning the Grease Tray and/or Grease Cup: The grease tray and/or grease cup (some models) should be inspected before each grill use to reduce the chance of fire. Remove grease (a plastic spatula works well) and wash all parts with a mild soap or degreaser and warm water solution.

Question: What causes grill parts to rust and what affect does it have on the grill materials?

Answer: Rusting is a natural oxidation process and may appear on cast-iron and steel parts. Rust will not affect the short-term performance of your grill. Stainless steel grill parts will not rust. However, weathering and extreme heat can cause a stainless steel lid to turn a bronze color. This is discoloration, not rust, and is not considered a manufacturing defect.

Question: What causes my stainless steel grill lid to discolor and how do I clean my grill lid?

Answer: Smoke, weathering and high heat can cause a stainless steel grill lid to turn bronze in color. This is not to be confused with rust and is not a product defect. Machine oils used in the manufacturing process of stainless steel as well as cooking oils and a dirty grill lid can also encourage discoloration if the lid is not cleaned prior to grill use. After your grill is assembled, remove the protective PVC film from your grill lid and use a stainless steel cleaner and soft cloth to remove residual adhesive and oils from the inside and outside of your grill lid. Never use abrasive cleaners or scrubbers. In addition to the initial cleaning, routine cleaning to remove dirt, grease and oils will help discourage lid discoloration.

Question: Can I convert my grill from propane gas to natural gas?

Answer: Most gas grills are manufactured to exact specifications and are certified for either propane gas or natural gas use only. However, some models can be converted safely with conversion kits available for specific models. Contact Brinkmann Customer Service at 800-527-0717 to see if your grill can be converted.

Question: Why does the hose / regulator assembly supplied with my grill not fit the older LP gas tank I've used for years?

Answer: U.S. Government regulates gas appliances and LP gas tanks. When regulations were changed, the LP gas tank fittings were updated to ensure compliance. If your LP gas tank does not fit the hose / regulator supplied with your new grill, the tank is outdated and must be replaced. NOTE: Effective April 1, 2002, all LP gas tanks sold must include an "OPD" overflow protection device. This internal device prevents the LP gas tank from being overfilled. Tanks without an OPD valve cannot be refilled.

Question: Sometimes I hear a humming sound coming from my gas regulator. Should I be concerned?

Answer: The humming sound is gas flowing through the regulator. A low volume of noise is normal and will not interfere with the operation of your grill. If the humming noise is loud and excessive, you need to purge air from the gas line or reset the regulator flow limiting device following the Regulator Resetting Procedure under Connecting LP Cylinder and Hose/Regulator to Grill. This procedure should be done every time a new LP gas tank is connected to your grill. For help, refer to your owner's manual or call Brinkmann Customer Service at 800-527-0717.

PARTS BAG CONTENTS

Make sure you have all items listed under **PARTS LIST** and **PARTS BAG CONTENTS** before you begin the installation process.

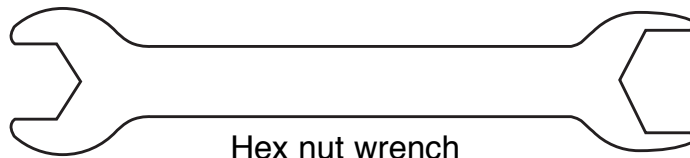
PARTS BAG CONTAINS:

Qty.

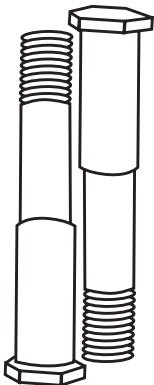
- 1 Hex nut wrench
- 1 AA/1.5V Alkaline battery
- 1 Screwdriver
- 24 M6 X 12mm bolts

Qty.

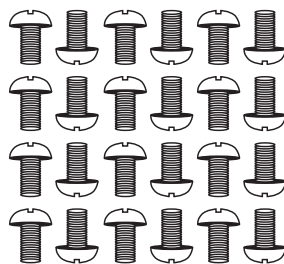
- 14 Star washers
- 2 Wheel axle bolts
- 2 Wheel washers
- 3 #8 self tapping screws



AA/1.5V Alkaline battery



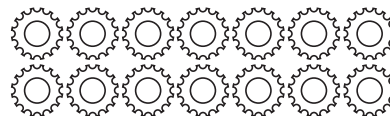
Wheel axle bolts



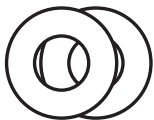
M6 X 12mm bolts



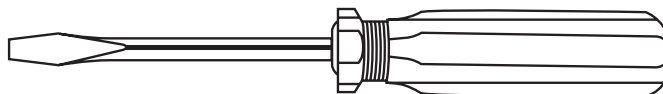
#8 self-tapping screws



Star washers



Wheel washers



Screwdriver

ASSEMBLY INSTRUCTIONS

⚠ READ ALL SAFETY WARNINGS & ASSEMBLY INSTRUCTIONS CAREFULLY BEFORE ASSEMBLING OR OPERATING YOUR GRILL.

WE RECOMMEND TWO PEOPLE WORK TOGETHER WHEN ASSEMBLING THIS UNIT.

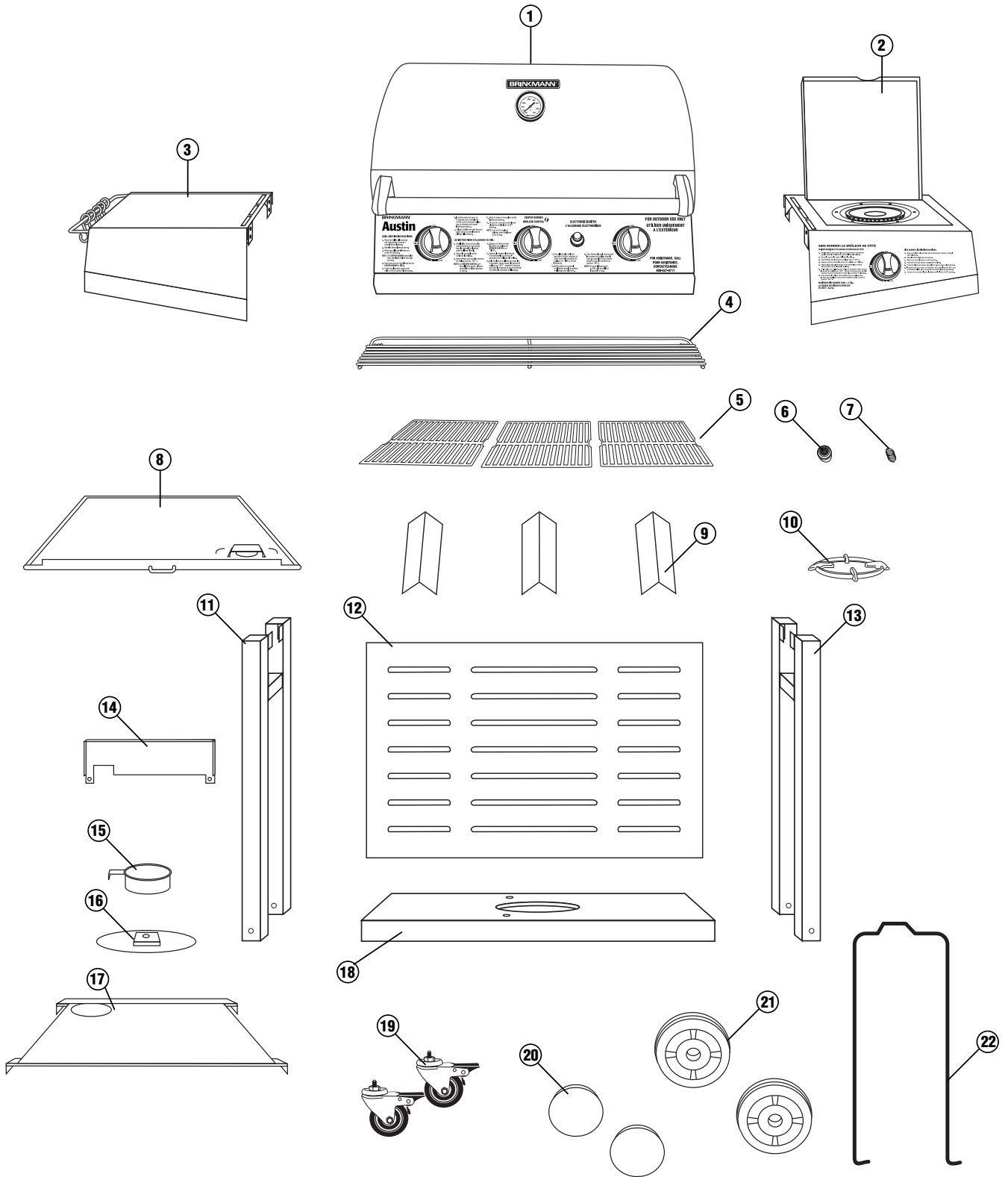
The estimated time of assembly for this grill is approximately 15 minutes.

The following provided tools are required to assemble this Brinkmann ProSeries 6330 Grill:

- Flathead Screwdriver
- Hex Nut Wrench

PARTS LIST:

①	1	Grill Body Assembly	⑫	1	Cart Front Panel
②	1	Side Burner Table	⑬	1	Right Cart Legs
③	1	Left Side Table	⑭	1	Hose Heat Shield
④	1	Warming Rack	⑮	1	Grease Cup
⑤	3	Cooking Grills	⑯	1	Tank Heat Shield
⑥	1	Electronic Igniter Button	⑰	1	Heat Shield Plate
⑦	1	Electronic Igniter Spring	⑱	1	Cart Base
⑧	1	Grease Tray	⑲	2	Locking Casters
⑨	3	Heat Distribution Plates	⑳	2	Hubcaps
⑩	1	Side Burner Grate	㉑	2	Wheels
⑪	1	Left Cart Legs	㉒	1	Tank Lock Wire



FOR MISSING PARTS, PLEASE CALL CUSTOMER SERVICE AT 800-527-0717.

(Proof of purchase will be required.)

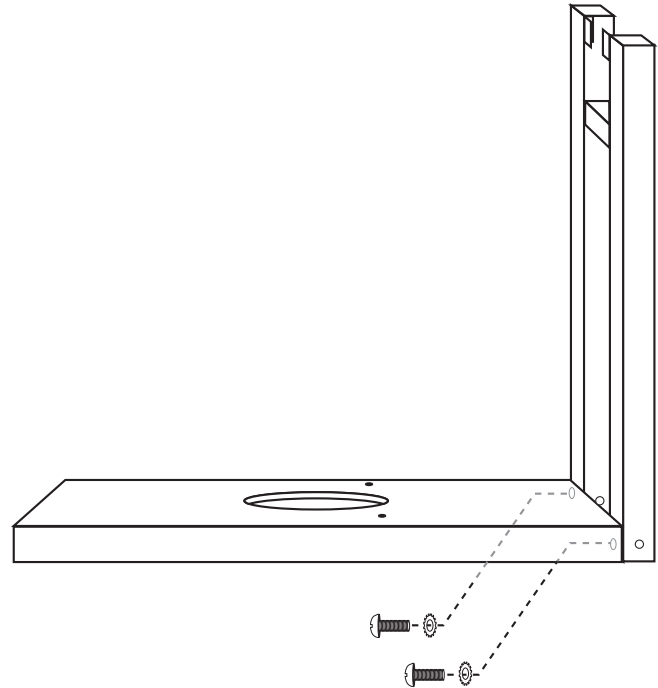
Inspect contents of the box to ensure all parts are included and undamaged.

Choose a good, cleared assembly area and get a friend to help you put your grill together. Lay cardboard down to protect grill finish and assembly area.

⚠ CAUTION! Some parts may contain sharp edges. Wear protective gloves if necessary.

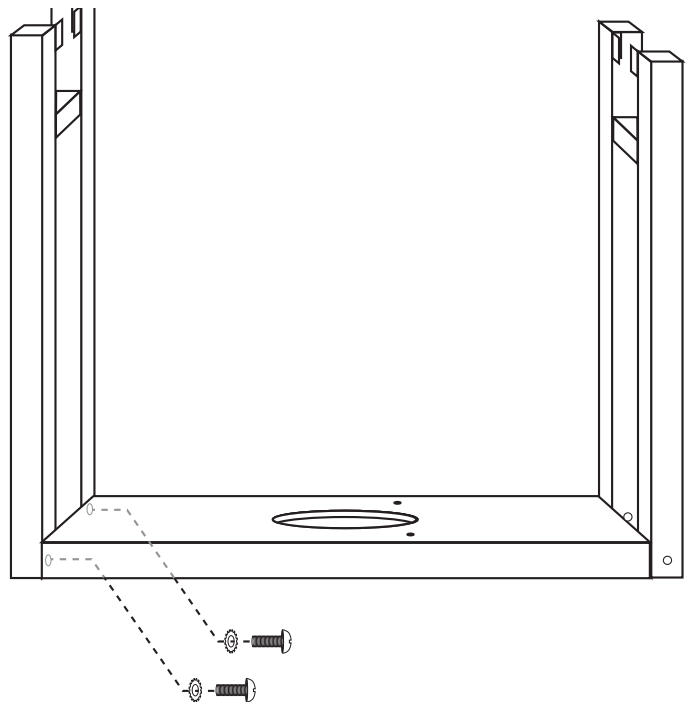
Step 1

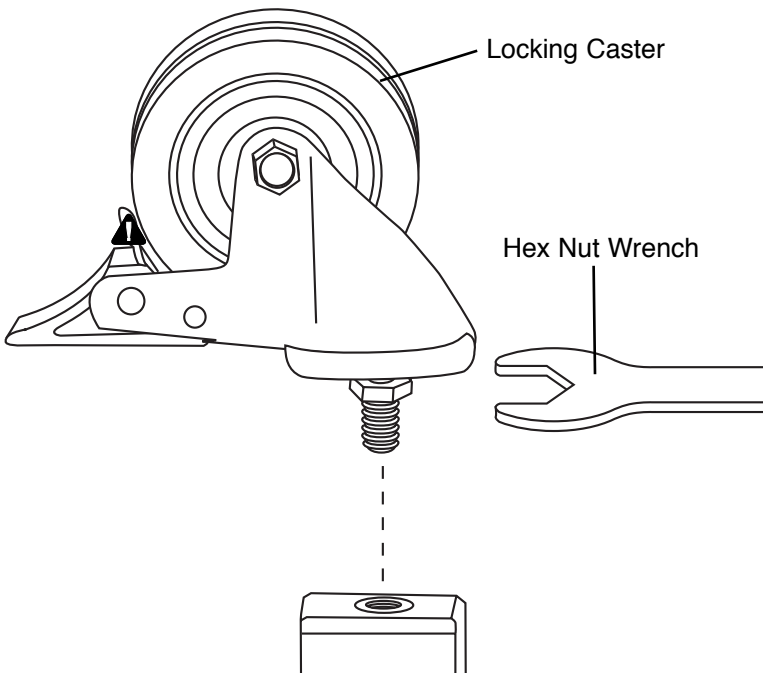
Assemble bottom cart shelf and right side cart panel by using two M6 X 12mm bolts and star washers (hand tighten only at this point).



Step 2

Assemble bottom cart shelf and left side cart panel by using two M6 X 12mm bolts and star washers. Tighten all four M6 X 12mm bolts and star washers at this time.



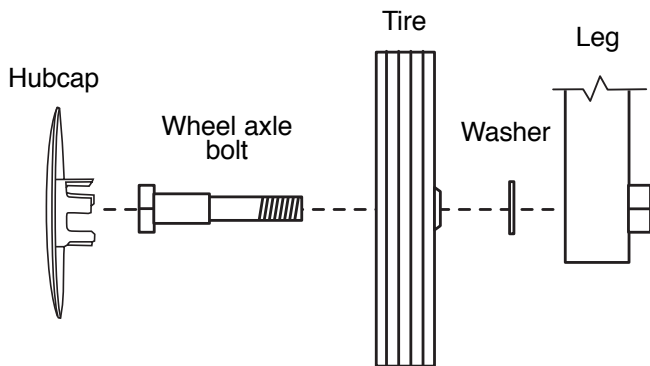


Step 3

With the help of a friend, turn the assembled cart over. Try to minimize the stress to the bottom plate.

Step 4

Attach locking casters to the bottom of the left side cart panel. Tighten caster bolts securely using hex nut wrench provided in parts pack.

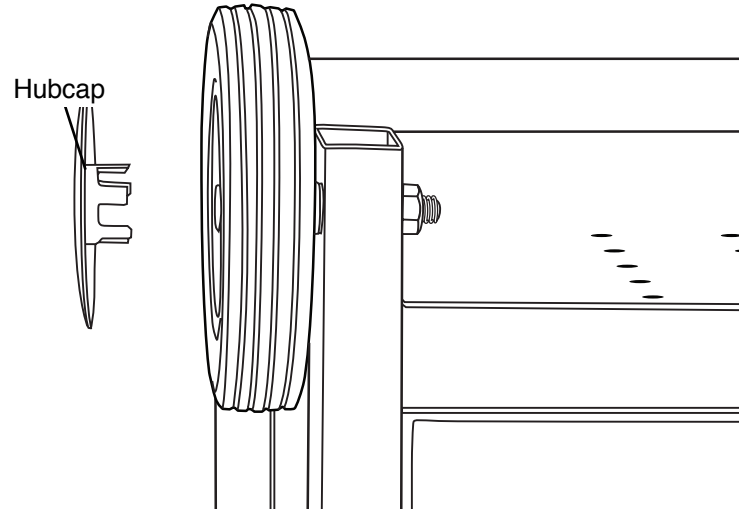


Step 5

Install the wheels as illustrated, by inserting the wheel axle bolts through the wheels, washers and right side panel axle holes. Tighten axle bolts securely using hex nut wrench provided in parts pack.

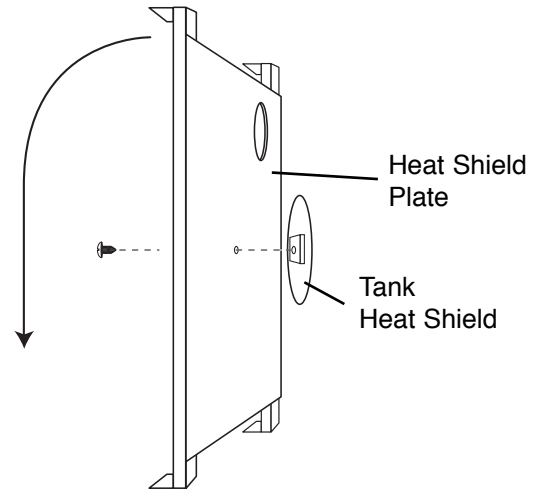
Step 6

Snap wheel hub caps onto the outside of wheels as illustrated.



Step 7

With the help of a friend, turn the cart to its upright position.

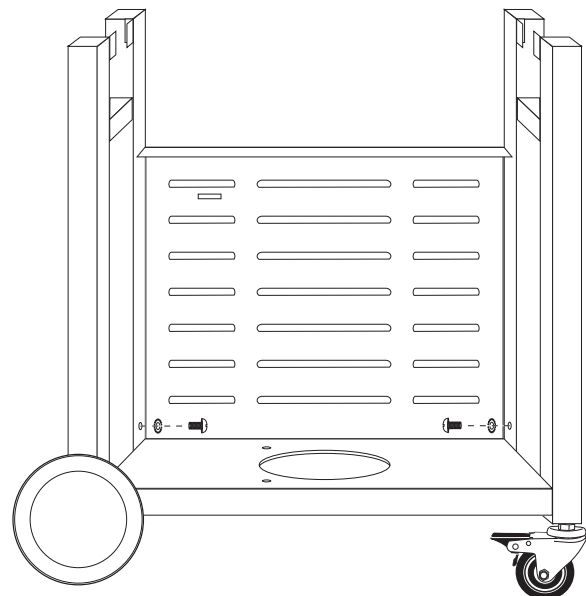


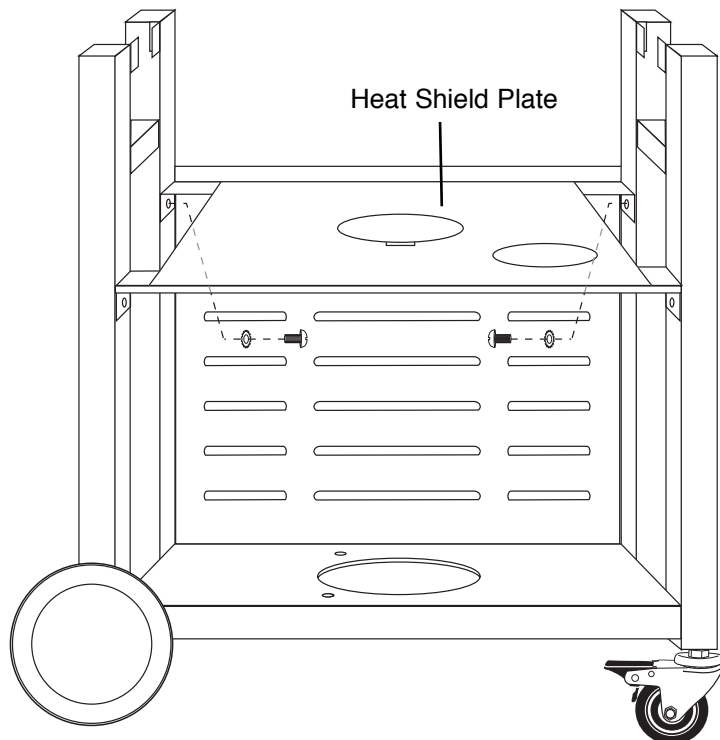
Step 8

Attach tank heat shield to heat shield plate using one #8 self-tapping screw.

Step 9

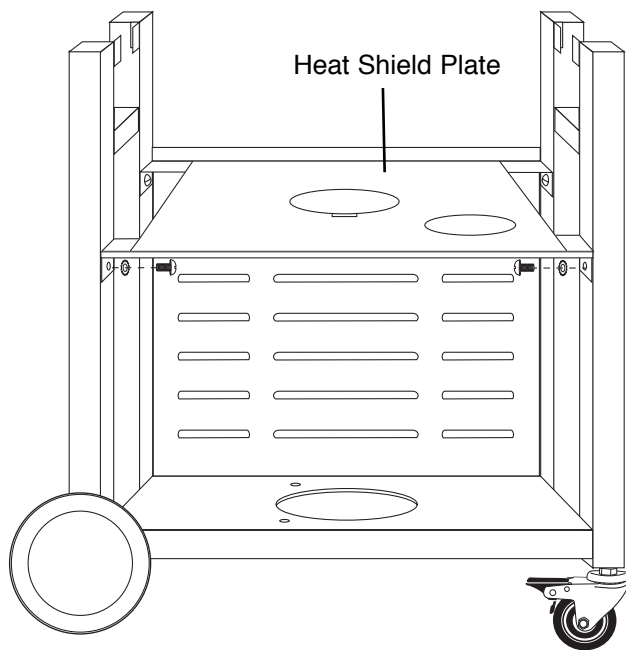
Attach front panel to lower left and right leg of cart assembly using two M6 X 12mm bolts and star washers.





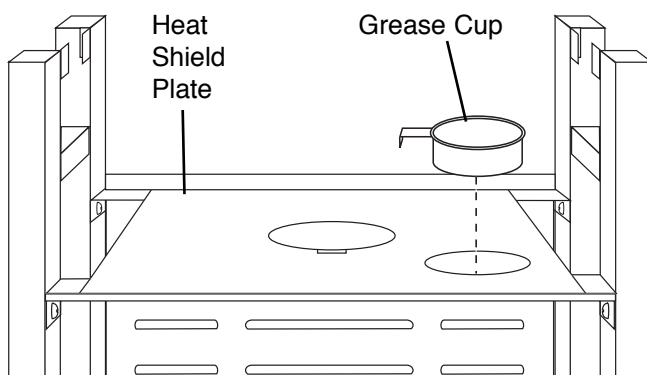
Step 10

Attach heat shield plate and front panel to the front of the cart frame assembly using two M6 X 12mm bolts with star washers.



Step 11

Attach heat shield plate to the back of the cart frame assembly using two M6 X 12mm bolts with star washers.



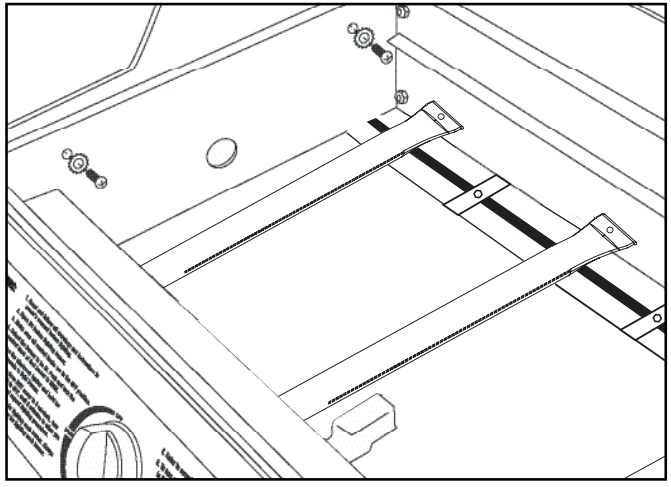
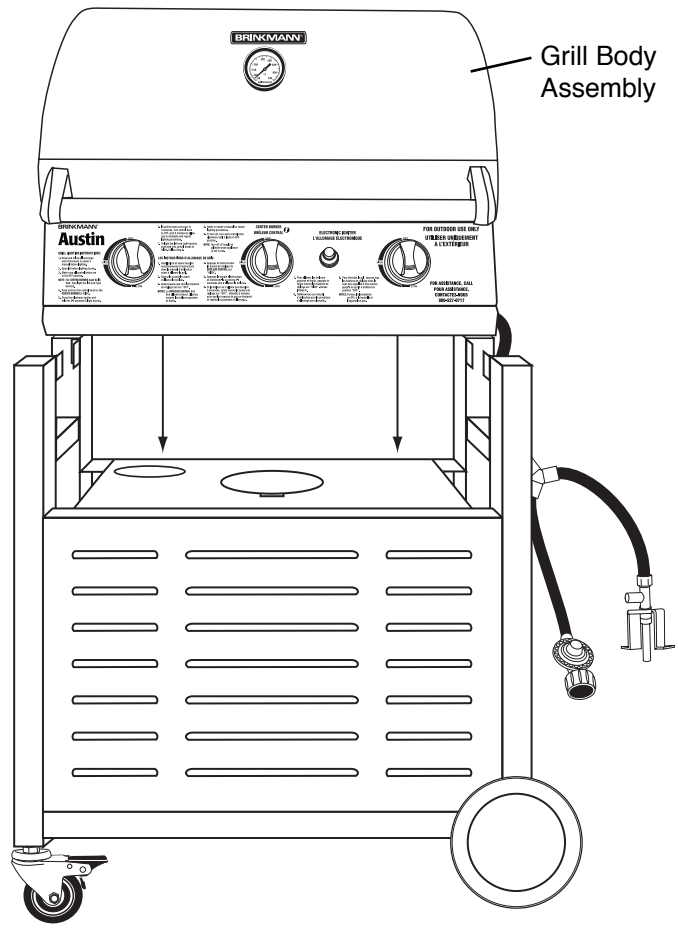
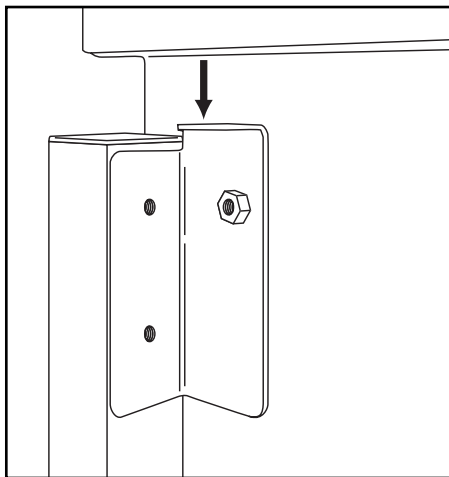
Step 12

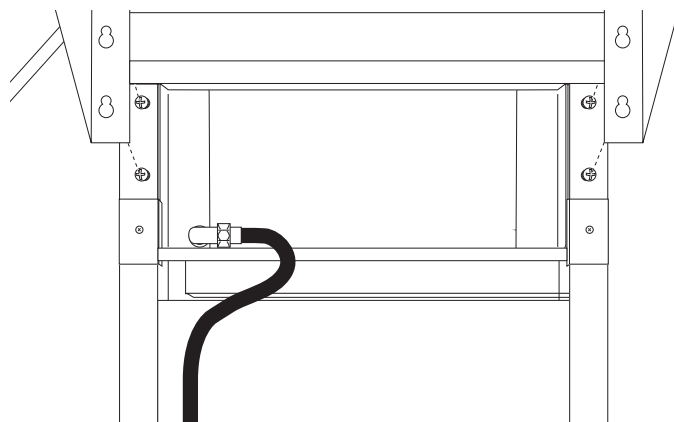
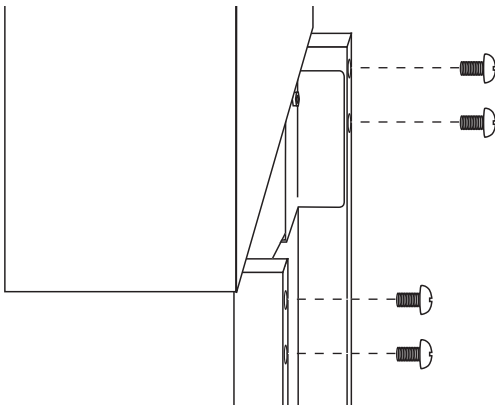
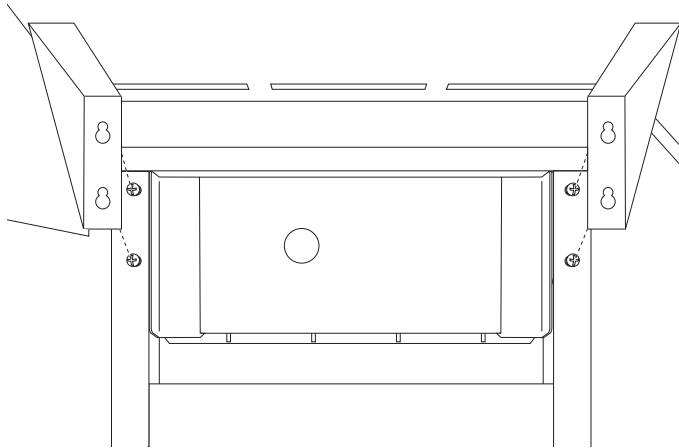
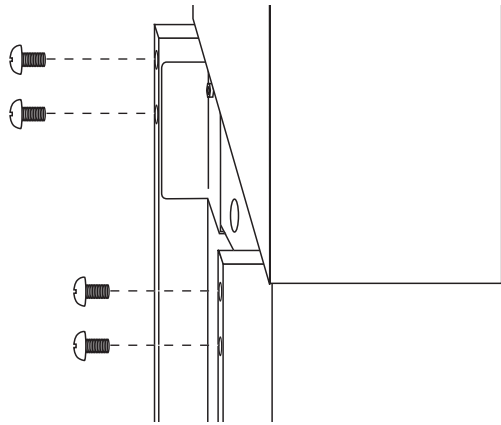
Place grease cup in middle of hole in heat shield plate.

Note: When performing Step 13, Lift grill body from front and rear panels to avoid injury to hands and fingers. Be sure to pass hose/regulator assembly above cart frame crossbar.

Step 13

With the help of a friend, place grill body assembly on assembled cart frame. Grill body will rest on angled top of vertical supports. Align bolt holes located on the outside of the grill body assembly. Secure using four M6 X12mm bolts with star washers.



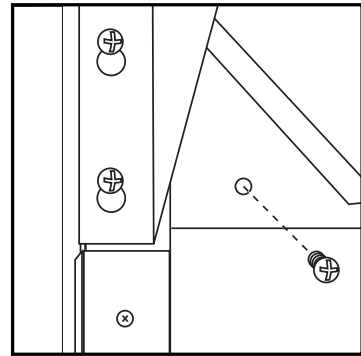


Step 14

Attach side table to left side of cart frame assembly. Insert four M6 X 12mm round head bolts halfway into cart frame assembly.

Step 15

Place table keyholes over bolts and slide down, then tighten securely. Fasten side table front panel to grill body with one M6 X 12mm round head bolt.

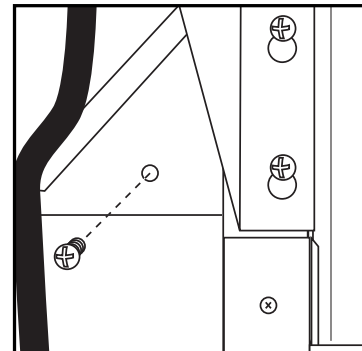


Step 16

Attach side burner to right side of cart frame assembly. Insert four M6 X 12mm round head bolts halfway into cart frame assembly.

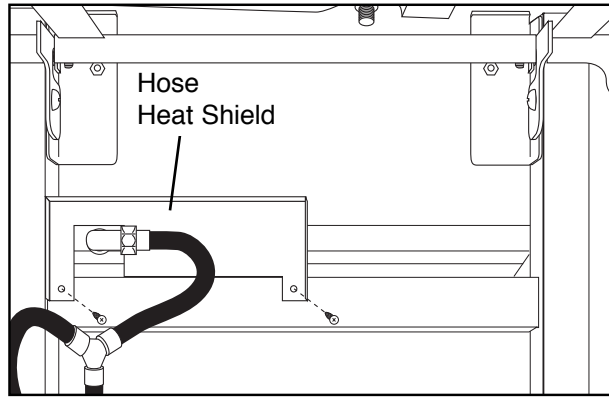
Step 17

Place side burner keyholes over bolts and slide down, then tighten securely. Fasten side burner front panel to grill body with one M6 X 12mm round head bolt.



Step 18

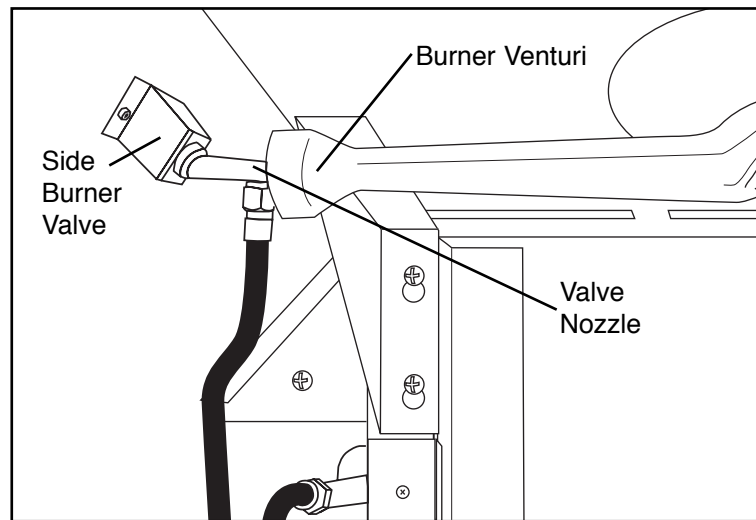
Attach the hose heat shield to the right side of the cart frame using two #8 self-tapping screws.



Step 19

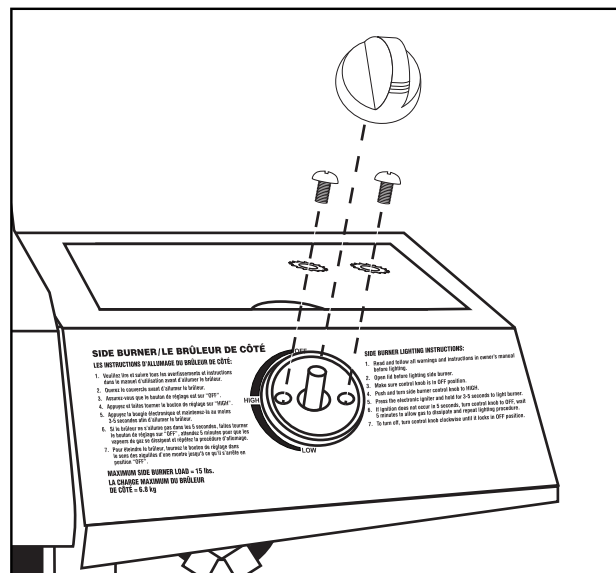
Remove two bolts and washers from the side burner valve. Insert the side burner valve assembly through the hole in the side burner front panel, then firmly seat the valve nozzle into the burner venturi. Hold in place while you perform Step 20.

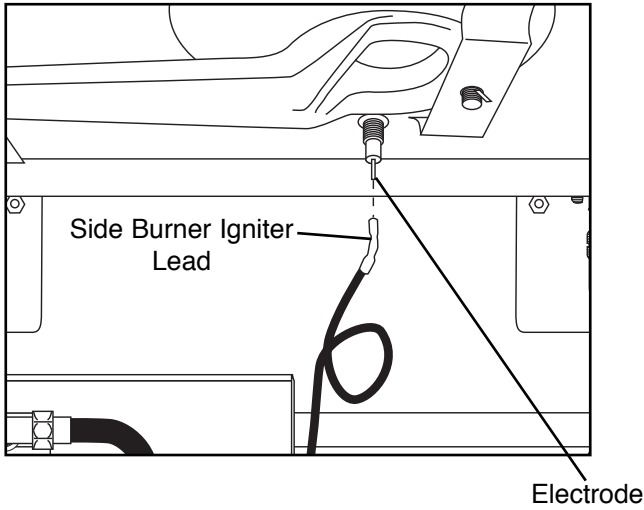
Warning: Never use your grill without leak testing all gas connections and hoses. See the section on “Leak Testing” in this manual for proper procedures. (See Page 8)



Step 20

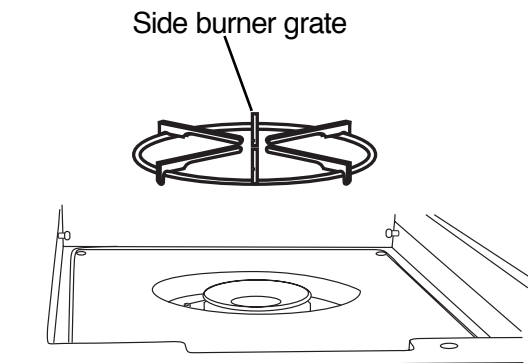
Place the bezel over the control knob mounting stem and position over holes in side burner base and side burner valve assembly. Attach with two M4 bolts with spring washers which come with valve. Then install the side burner control knob onto valve stem.





Step 21

Attach side burner igniter lead wire to the electrode as illustrated.



Step 22

Place side burner grate over side burner.

SIDE BURNER / LE BRÛLEUR DE CÔTÉ

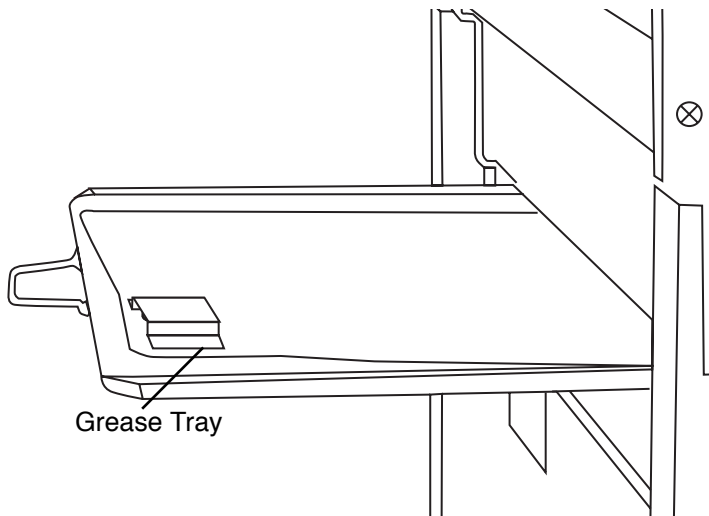
LES INSTRUCTIONS D'ALLUMAGE DU BRÛLEUR DE CÔTÉ:

1. Vérifiez que le gaz est ouvert jusqu'au compteur et vérifiez les autres points de dérivation avant d'allumer le brûleur.
2. Ouvrez le commutateur avant de allumer le brûleur.
3. Appuyez sur le bouton de commande du brûleur de côté.
4. Appuyez et maintenez le bouton de commande "OFF".
5. Appuyez le bouton de commande et maintenez-le enfoncé pendant 30 secondes.
6. Si le brûleur ne s'allume pas, attendez 10 secondes, puis appuyez sur le bouton de commande "OFF".
7. Pour allumer le brûleur, appuyez sur le bouton de commande "ON".

MAXIMUM SIDE BURNER LOAD - 15 lbs.
LE QUANTITÉ MAXIMUM DU BRÛLEUR DE CÔTÉ - 6,8 kg

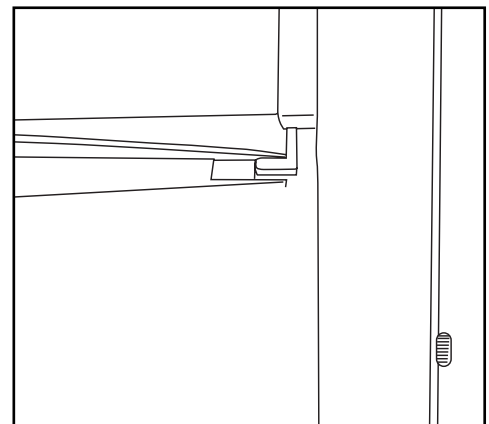
SIDE BURNER LIGHTING INSTRUCTIONS:

1. Check and before lighting side burner, turn "OFF".
2. Open the burner lighting side burner.
3. Make sure control valve is in "OFF" position.
4. Push the control valve button and hold it for 30 seconds to light burner.
5. Push the control valve button and hold it for 30 seconds to light burner.
6. If burner does not light, wait 10 seconds, then push the control valve button and hold it for 30 seconds.
7. To turn off, push control valve button and hold it for 30 seconds.



Step 23

Insert grease tray into opening on backside of grill. Make sure to slide tray onto tracks as illustrated.



Step 24

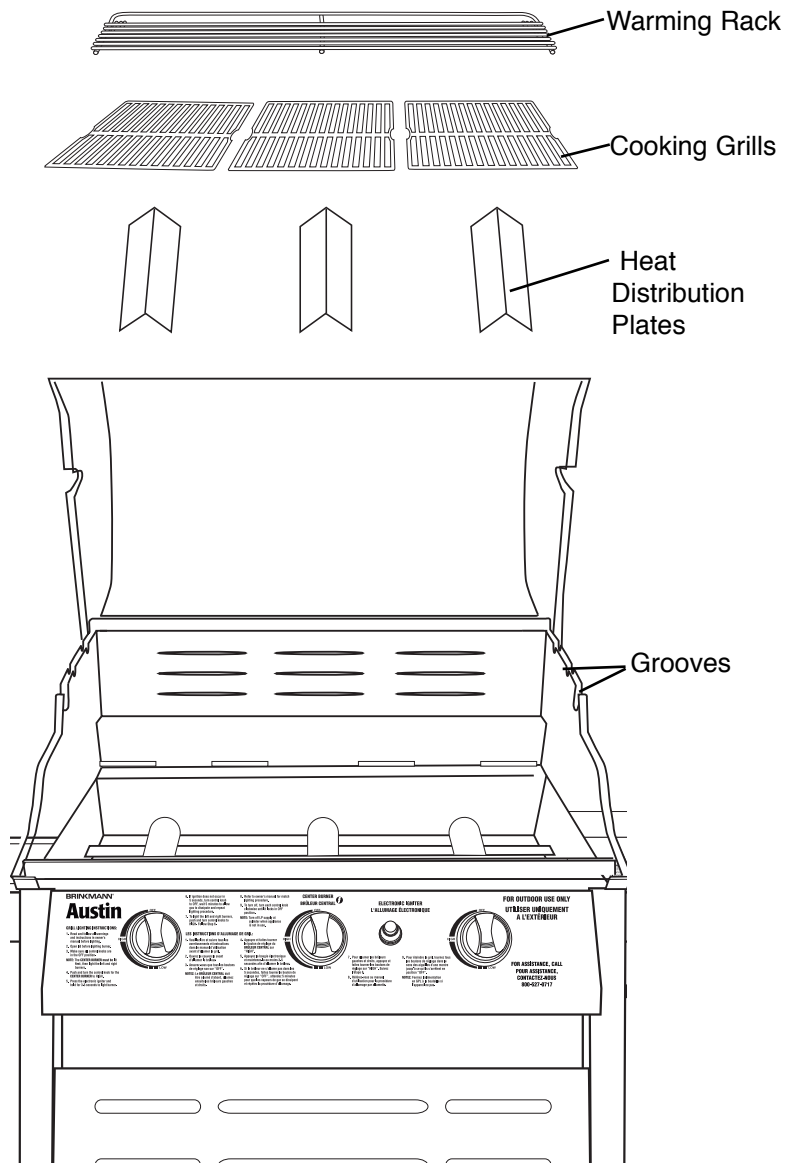
Place the heat distribution plates on lower level of grill body assembly directly above burners.

Step 25

Place cooking grills on support ribs directly above heat distribution plates.

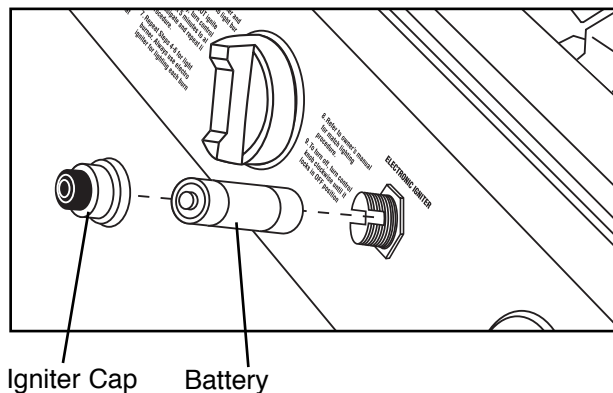
Step 26

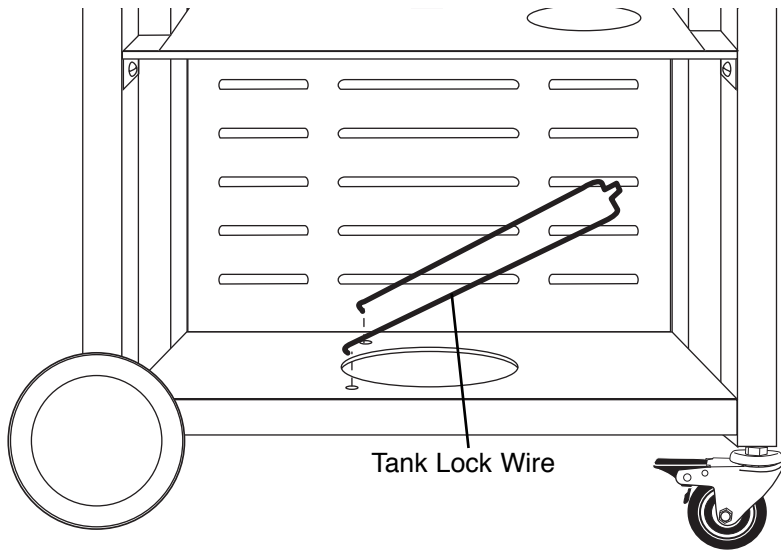
Place warming rack in grooves so that it sits above the cooking grills.



Step 27

Remove igniter cap and insert battery with positive end of battery toward igniter cap. Replace igniter cap and make sure the igniter is working properly.

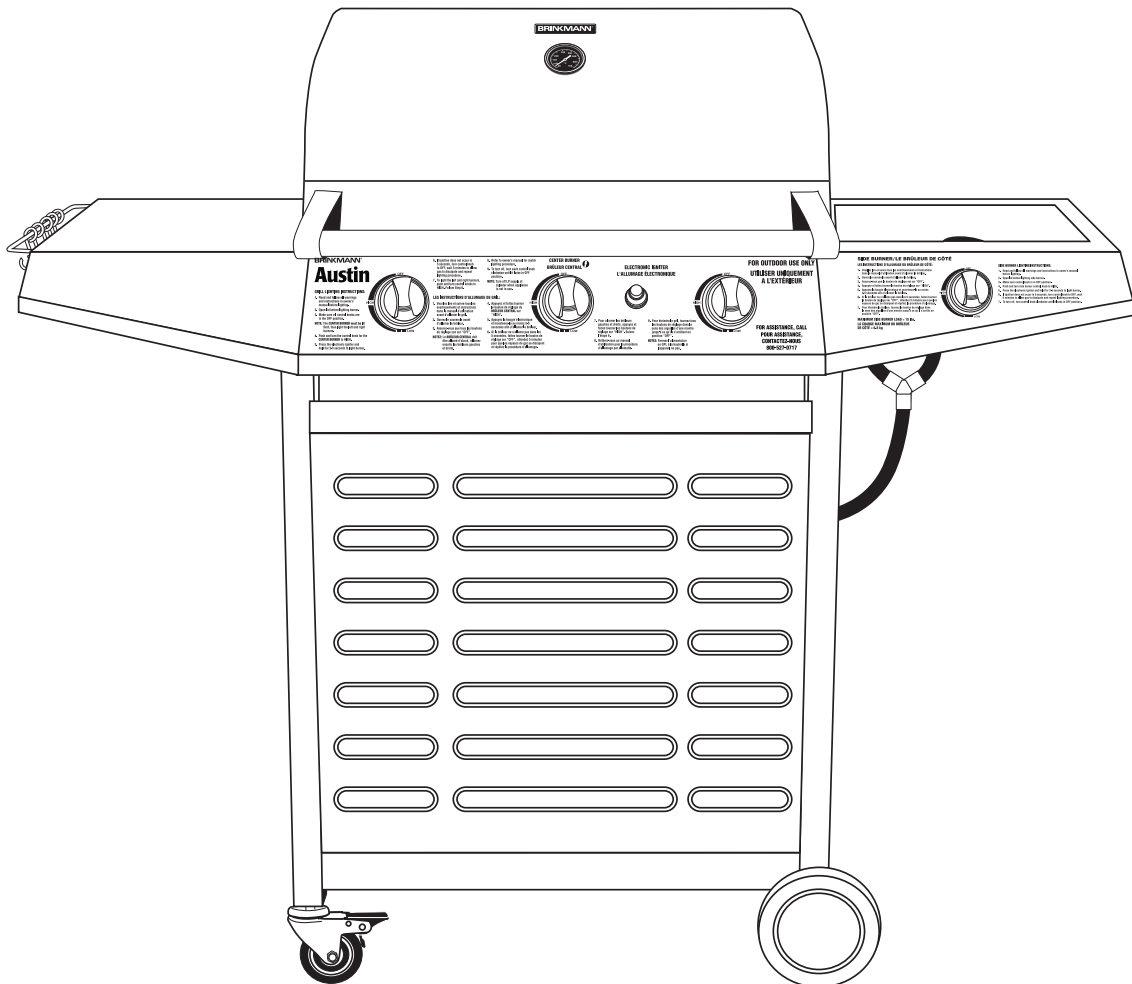




Step 28


Insert tank lock wire through two small holes in cart base as illustrated.

Austin 6330 (Assembled)





MISES EN GARDE IMPORTANTES RELATIVES À LA SÉCURITÉ

NOUS VOULONS QUE L'ASSEMBLAGE ET L'UTILISATION DE VOTRE GRIL SOIENT AUSSI SÉCURITAIRES QUE POSSIBLE. CE SYMBOLE  D'ALERTE DE SÉCURITÉ VISE À ATTIRER VOTRE ATTENTION SUR DES RISQUES POSSIBLES LORS DE L'ASSEMBLAGE ET DE L'UTILISATION DE VOTRE GRIL.

QUAND VOUS VOYEZ LE SYMBOLE D'ALERTE
PORTER UNE ATTENTION ÉTROITE AUX RENSEIGNEMENTS QUI SUIVENT!

 LIRE ATTENTIVEMENT TOUTES LES MISES EN GARDE DE SÉCURITÉ ET LES CONSIGNES AVANT D'ASSEMBLER ET D'UTILISER VOTRE GRIL.

DANGER

SI VOUS DÉCELEZ UNE ODEUR DE GAZ:

1. Couper l'alimentation en gaz de l'appareil.
2. Éteindre toute flamme nue.
3. Ouvrir le couvercle.
4. Si l'odeur persiste, vous tenir à l'écart de l'appareil et téléphoner immédiatement à votre fournisseur de gaz ou au service d'incendie.

MISE EN GARDE

1. NE PAS garder ou utiliser de l'essence ou tout autre liquide ou vapeur inflammable à proximité de cet appareil ou de tout autre appareil.
2. Il ne faut pas garder une bouteille de GPL non raccordée à proximité de cet appareil ou de tout autre appareil afin d'éviter le risque d'explosion.

DANGER



- NE PAS ranger une bouteille de GPL de réserve sous cet appareil ou à proximité.
- Ne jamais remplir une bouteille à plus de 80% de sa capacité.
- Le non-respect de ces consignes peut provoquer un incendie causant des blessures graves et même la mort.

TABLE DES MATIÈRES

Mises en garde générales	35
Installation et spécifications de la bouteille de GPL et utilisation sécuritaire	36–38
Raccordement de la bouteille de GPL et du tuyau-régulateur au gril	39–40
Épreuves d'étanchéité	41–42
Liste des contrôles préalables à l'allumage.	42
Consignes d'allumage	43–44
Utilisation du gril et conseils utiles.	44–46
Soins et entretien appropriés.	46–47
Transport et entreposage.	48
Dépannage	49
Foire aux questions	50–51
Liste des pièces et consignes d'assemblage	52–64
Accessoires de cuisson	66
Renseignements sur la garantie.	Couverture arrière

⚠ DANGER: Indique un danger imminent qui, s'il n'est pas évité, entraînera des blessures graves ou la mort.

⚠ MISE EN GARDE: Être attentif à la possibilité de blessures graves si les directives ne sont pas suivies. Veiller à lire et à respecter scrupuleusement tous les messages.

⚠ ATTENTION: Indique un danger possible qui, s'il n'est pas évité, peut provoquer des blessures superficielles ou modérées.

MISES EN GARDE GÉNÉRALES

⚠ MISES EN GARDE

- Ne jamais utiliser du gaz naturel dans un appareil conçu pour fonctionner au gaz propane liquide.
- Ne jamais utiliser des briquettes de charbon de bois ou du liquide d'allumage dans un gril au gaz.
- Vérifier la présence de fuites à tous els raccords avant d'utiliser pour la première fois, même si le gril a été acheté entièrement assemblé, et après chaque remplissage du réservoir.
- Ne jamais vérifier la présence de fuites à l'aide d'une allumette ou d'une flamme nue.

⚠ ATTENTION! De fortes odeurs, le rhume, la congestion des sinus, etc. peuvent empêcher de déceler l'odeur du propane. Faire preuve de prudence et de bon sens lors de la vérification de la présence de fuites.

- Toujours tenir votre gril au gaz exempt d'essence, de diluant ou d'autres liquides ou vapeurs inflammables ou de matières combustibles.
- Toujours vérifier le gril avant chaque utilisation selon les indications de la section intitulée « Liste des contrôles préalables à l'allumage » du présent guide.
- NE PAS obstruer la circulation de l'air de combustion ou d'aération.
- Ne jamais placer un poids de plus de 15 livres sur le brûleur latéral. NE PAS vous appuyer sur la tablette du brûleur latéral.
- Tenir les enfants et les animaux domestiques éloignés du gril chaud. NE PAS permettre à des enfants d'utiliser ce gril ou de jouer à proximité.
- NE PAS laisser le gril sans surveillance pendant son utilisation.
- NE PAS laisser le tuyau du gaz venir en contact avec des surfaces chaudes.
- NE PAS laisser la graisse qui s'écoule de l'orifice de drainage tomber sur le tuyau ou le robinet régulateur.
- Tenir tous les fils électriques à l'écart de l'eau ou des surfaces chaudes.
- Garder sous la main un extincteur utilisable avec les produits du gaz. Consulter l'autorité locale pour connaître la taille et le type d'extincteur adéquats.
- Usage domestique seulement. NE PAS utiliser ce gril à des fins autres que celle pour laquelle il a été conçu.
- NE PAS vous en servir lorsque vous avez les facultés affaiblies par des stupéfiants ou l'alcool.
- Le gril est chaud lorsque vous l'utilisez. Pour éviter les brûlures:
 - NE PAS tenter de déplacer le gril.
 - bloquer les roues de sorte que l'appareil ne se déplace pas accidentellement.
 - porter des gants de protection ou des gants de cuisine.
 - NE toucher AUCUNE surface chaude du gril.
 - NE PAS porter des vêtements amples ni permettre que vos cheveux viennent en contact avec le gril.

⚠ FAIRE PREUVE DE PRUDENCE ET DE BON SENS LORS DE L'UTILISATION DE VOTRE GRIL AU GAZ.

LE DÉFAUT DE RESPECTER LES MISES EN GARDE DE SÉCURITÉ ET LES CONSIGNES CONTENUES DANS LE PRÉSENT GUIDE PEUT RÉSULTER EN DES BLESSURES GRAVES OU DES DOMMAGES IMPORTANTS.

CONSERVER LE PRÉSENT GUIDE POUR CONSULTATION FUTURE.

⚠ MISE EN GARDE

- **UTILISER EN PLEIN AIR SEULEMENT. NE PAS faire fonctionner à l'intérieur ou dans un espace fermé tel qu'un garage, une remise ou un passage couvert.**
- **Utiliser votre gril À L'EXTÉRIEUR, dans un endroit bien aéré à l'écart des habitations ou des autres bâtiments afin de prévenir les dangers liés à l'accumulation de gaz et aux vapeurs toxiques. Nous recommandons de placer votre gril à au moins 10 pieds (3,1 m) des bâtiments.**
- **Laisser un dégagement minimum de 36 pouces (91 cm) entre tous les côtés du gril et les murs ou autre matière combustible. NE PAS utiliser le gril sous une couverture combustible non protégée.**
- **NE PAS utiliser ou installer ce gril à bord d'un véhicule récréatif ou d'un bateau.**

RENSEIGNEMENTS SUR L'INSTALLATION:

L'installation de cet appareil doit être conforme à ce qui suit:

tous les codes locaux applicables ou, en l'absence de codes locaux, à l'un des codes suivants :

- National Fuel Gas Code ANSI Z223, NFPA 54
- Code d'installation du gaz naturel et du propane CAN/ACG B149.1
- Code d'installation du gaz naturel CAN/ACG B149.1 (Canada)
- Code d'installation du propane CAN/ACG B149.2 (Canada)

Pour vérifier les codes locaux, consulter votre vendeur de GPL ou votre société de gaz naturel. Ce gril n'est pas conçu pour être branché à un tuyau d'alimentation de gaz naturel. Si une source électrique externe est utilisée, il doit être mis à la masse conformément aux codes locaux ou, en l'absence de codes locaux, au National Electrical Code ANSI/NFPA 70 ou au Code canadien de l'électricité CSA 22.1.

⚠ MISE EN GARDE

BOUTEILLE DE GPL (NON FOURNIE AVEC CE GRIL)

Vous pouvez acheter une bouteille de GPL à l'endroit où vous vous êtes procuré votre gril.

La bouteille de GPL (gaz propane liquide) conçue spécialement pour ce gril doit avoir une capacité de 20 lb (0,1 kg) et être munie d'un robinet de bouteille de type 1 et d'un dispositif de protection contre le remplissage excessif.

- **NE PAS raccorder ce gril à un robinet de bouteille POL no 510 à filets inversés. Le robinet de type 1 se remarque facilement par les gros filets externes sur sa sortie.**
- **NE PAS raccorder à une bouteille de propane d'une capacité excédant celle indiquée.**
- **NE PAS raccorder à une bouteille qui utilise un autre type de dispositif de raccordement du robinet.**

SPÉCIFICATIONS DE LA BOUTEILLE:

Lors de l'achat d'une bouteille pour votre gril au gaz ou du remplacement de cette bouteille, vous devez vous assurer qu'elle est fabriquée et porte les inscriptions conformément aux spécifications des bouteilles de GPL du département des Transports (DOT) des États-Unis ou à la norme nationale du Canada CAN/CSA-B339, Bouteilles et tubes pour le transport des marchandises dangereuses, et de la Commission, le cas échéant. Elle doit être munie d'un dispositif répertorié de protection contre le remplissage excessif ainsi que d'un dispositif de raccordement qui permet le raccordement aux appareils de cuisson extérieurs.

La bouteille doit également être munie de ce qui suit:

- Une soupape d'arrêt se raccordant à la sortie d'un robinet de bouteille de gaz de type 1.
- Un robinet de type 1 qui empêche le gaz de sortir jusqu'à l'obtention d'une étanchéité parfaite.
- Un dispositif d'élimination des vapeurs.
- Un collet de protection de la soupape d'arrêt de la bouteille.
- un opercule de sécurité relié directement à la calandre de la bouteille.
- un dispositif répertorié de protection contre le remplissage excessif.

MISE EN GARDE

- Fermer le robinet de la bouteille lorsque le gril n'est pas utilisé.
- Manipuler la bouteille avec précaution.
- Toujours fixer la bouteille en position verticale.
- Ne jamais raccorder une bouteille de GPL non réglementée à votre gril.
- NE PAS exposer les bouteilles de GPL à une chaleur excessive ou à des sources d'inflammation.
- NE PAS ranger une bouteille de GPL de réserve sous votre gril ou à proximité.
- Ne permettre qu'à des vendeurs de GPL qualifiés de remplir ou de réparer votre bouteille de GPL.
- NE PAS permettre que votre bouteille soit remplie à plus de 80 pour cent de sa capacité.
- Lire et respecter toutes les mises en garde et les directives qui se trouvent sur la bouteille et qui sont jointes à ce produit.

DANGER

- Ne jamais ranger une bouteille de GPL de réserve sous votre gril ou à proximité. Cela pourrait provoquer l'expulsion de la pression excessive par la soupape de dégagement des vapeurs causant ainsi un incendie, une explosion ou des blessures graves et même la mort

REMARQUE: LE GAZ PROPANE EST PLUS LOURD QUE L'AIR ET SE RETROUVE DANS LA PARTIE INFÉRIEURE. UNE VENTILATION ADÉQUATE EST EXTRÊMEMENT IMPORTANTE.

- Veiller à ce que les ouvertures d'aération de la bouteille de GPL soient dégagées et exemptes d'obstructions et de débris.
- N'insérer AUCUN objet étranger dans la sortie du robinet. Il pourrait en résulter des dommages à la soupape de retour. Une soupape de retour endommagée peut causer une fuite qui peut provoquer une explosion, un incendie, des blessures graves et même la mort.

⚠ MISE EN GARDE

REPLISSAGE DE LA BOUTEILLE DE GPL:

- Ne permettre qu'à des vendeurs de GPL qualifiés de remplir ou de réparer adéquatement votre bouteille de GPL.
- Les réservoirs neufs doivent être purgés avant le remplissage; avertir le vendeur de GPL si vous utilisez un réservoir neuf.
- **NE PAS** permettre que votre bouteille soit remplie à plus de 80 pour cent de sa capacité. Les réservoirs trop remplis peuvent engendrer une situation dangereuse. Les réservoirs trop remplis peuvent accumuler de la pression et faire en sorte que la soupape de dégagement expulse des vapeurs de gaz propane. La vapeur est combustible et si elle vient en contact avec une étincelle ou une flamme, il pourrait se produire une explosion causant des brûlures graves, des blessures ou la mort.
- Toujours utiliser un bouchon de bouteille protecteur lorsque la bouteille n'est pas raccordée au gril.
- Si vous échangez une bouteille dans le cadre d'un programme d'échange reconnu, vous assurer que la bouteille est munie d'un robinet de type 1 et d'un dispositif de protection contre le remplissage excessif.

INSTALLATION DE LA BOUTEILLE DE GPL SUR LE GRIL

1. Vous assurer que le robinet de la bouteille est fermé en tournant la poignée dans le sens horaire.
2. Placer la bouteille dans le support de bouteille, au bas de la base du chariot.
3. Orienter la bouteille de sorte que l'ouverture du robinet soit tournée vers le brûleur latéral, de manière à ne pas couder ou endommager le tuyau.
4. Soulever le fil de sûreté du réservoir pour attacher la bouteille au support de réservoir.
5. Ne fixer le régulateur à la bouteille de GPL ou ne l'en détacher que lorsque la bouteille est placée dans le support de réservoir.

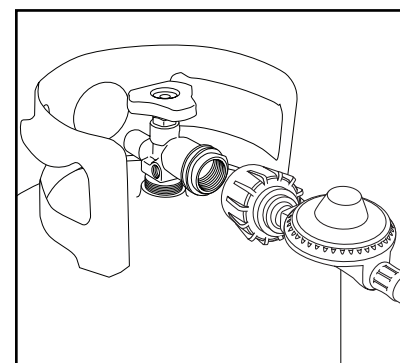
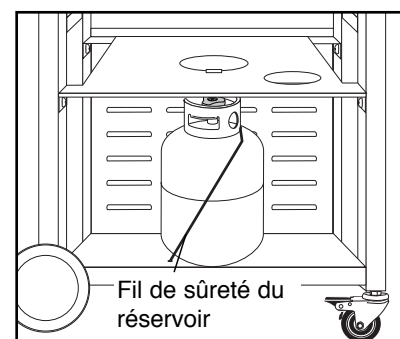
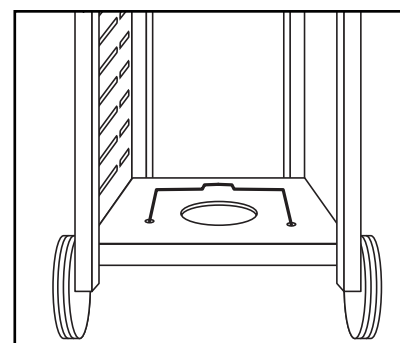
TUYAU ET RÉGULATEUR:

Votre gril est muni d'un dispositif de raccordement de type 1 possédant les caractéristiques suivantes:

1. Le système ne laissera pas le gaz s'écouler de la bouteille tant qu'un raccordement étanche avec le robinet ne sera pas fait.
REMARQUE: Le robinet de la bouteille doit être fermé avant de faire ou de défaire un raccord.
2. Un dispositif thermique coupera l'écoulement de gaz si la température de l'appareil excède de 240 °F à 300 °F (115 °C à 150°C). Si cela se produit, enlever le régulateur au complet et vous en défaire de façon appropriée. On peut se procurer un régulateur de remplacement en communiquant avec le Service à la clientèle, au 800 527-0717. Il faut définir la cause de la chaleur excessive et la corriger avant d'utiliser le gril de nouveau.
3. Un limiteur de débit, lorsqu'il est activé, limite le débit du gaz à 10 pieds cubes à l'heure. Si le limiteur de débit se déclenche, exécuter la procédure de réenclenchement.

PROCÉDURE DE RÉENCLÈCHEMENT DU RÉGULATEUR

1. Tourner les boutons de commande des brûleurs en position « ARRÊT », fermer le robinet de la bouteille et débrancher le régulateur du réservoir de GPL. Laisser s'écouler environ deux minutes.
2. Réinstaller le régulateur et ouvrir lentement le robinet de la bouteille. Le limiteur de débit est maintenant réenclenché.



⚠ MISE EN GARDE

- Consulter la section intitulée « Épreuves d'étanchéité » du présent guide pour connaître les marches à suivre.

⚠ MISE EN GARDE

Il faut utiliser l'ensemble tuyau-régulateur de pression fourni avec votre gril.

- **NE PAS tenter de le raccorder à une autre source d'alimentation en combustible telle qu'un tuyau de gaz nature.**
- **N'utiliser AUCUN ensemble tuyau-régulateur de pression autre que celui fourni avec votre gril. L'ensemble tuyau-régulateur de pression de remplacement à utiliser porte le numéro de pièce 155-2400-0 et on peut l'obtenir en communiquant avec le Service à la clientèle, au 800 527-0717.**
- **NE PAS tenter de régler ou de réparer le régulateur. Celui-ci est conçu pour fonctionner à une pression de sortie maximale d'une colonne d'eau de 11 pouces (2,74 kPa).**

Lors de l'assemblage ou du remplacement de la bouteille de gaz, éviter de couder ou d'endommager le tuyau du gaz.

Procéder à une inspection visuelle du tuyau avant chaque utilisation afin de découvrir tout dommage, usure excessive ou détérioration. Le cas échéant, remplacer le tuyau avant d'utiliser votre gril. Seules des pièces de rechange fournies par le fabricant doivent être utilisées.

⚠ MISE EN GARDE

RACCORDEMENT DU TUYAU ET DU RÉGULATEUR À UNE BOUTEILLE DE GPL

- **Vous assurer que le robinet du réservoir est FERMÉ avant de raccorder la bouteille de GPL à votre gril. Tourner la poignée du robinet dans le sens horaire pour bien fermer le robinet. Lire et suivre les directives et les mises en garde sur les étiquettes de sécurité du tuyau. Lire et respecter toutes les mises en garde du présent guide relatives à l'utilisation sécuritaire des bouteilles de GPL et du tuyau-régulateur avant de raccorder la bouteille au gril. Lire et respecter toutes les mises en garde figurant sur la bouteille de GPL.**

RACCORDEMENT DU TUYAU ET DU RÉGULATEUR

1. Vous assurer que le robinet de la bouteille est fermé en tournant la poignée dans le sens horaire.
2. Vous assurer que les boutons de commande des brûleurs sont en position "ARRÊT".
3. Retirer le capuchon protecteur de plastique du robinet de la bouteille et du dispositif de raccordement.
4. En tenant le régulateur, insérer le raccord fileté du dispositif de raccordement dans la sortie du robinet de la bouteille de GPL. Vous assurer que le dispositif est bien centré.
5. Tourner l'écrou de raccordement à la main, dans le sens horaire, jusqu'à ce que l'écrou s'arrête complètement. S'assurer de ne pas fausser le filetage de l'écrou de raccordement sur le robinet de la bouteille. Ne pas serrer excessivement le bouton sur le robinet. Ne pas utiliser des outils pour serrer le raccord.

REMARQUE: Si vous êtes incapable de faire le raccord, répéter les étapes 4 et 5.

6. Vous assurer que le tuyau n'est pas coudé et ne vient pas en contact avec des bords coupants ou des surfaces qui peuvent devenir chaudes durant l'utilisation.
7. Vérifier l'étanchéité de tous les raccords avant d'allumer votre gril. Voir la section intitulée « Épreuves d'étanchéité » du présent guide.

⚠ MISE EN GARDE

ÉPREUVES D'ÉTANCHÉITÉ:

Pour éliminer les risques d'incendie ou d'explosion:

- **NE PAS fumer** ou permettre que des sources d'inflammation se trouvent dans le secteur en procédant à une épreuve d'étanchéité.
- **N'effectuer les épreuves qu'à l'EXTÉRIEUR**, dans un endroit bien aéré.
- **Ne jamais effectuer une épreuve d'étanchéité à l'aide d'une allumette ou d'une flamme nue.**
- **Ne jamais effectuer une épreuve d'étanchéité pendant l'utilisation du grill ou pendant que le grill est chaud.**

⚠ MISE EN GARDE

QUAND EFFECTUER UNE ÉPREUVE D'ÉTANCHÉITÉ:

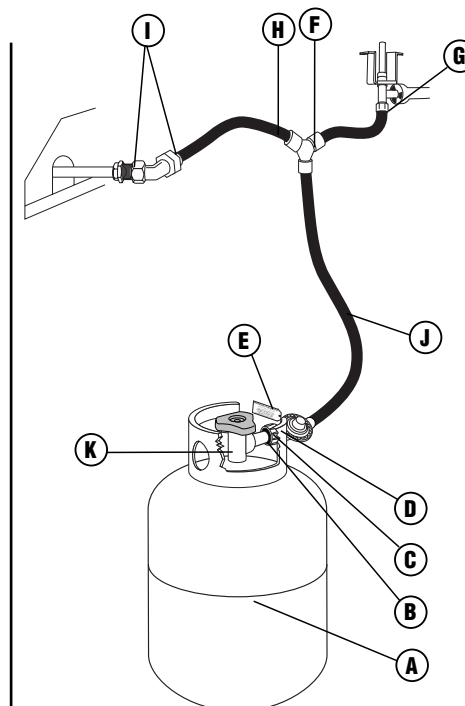
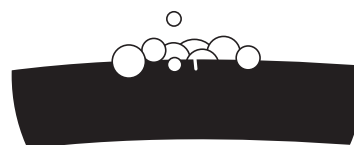
- **Après avoir assemblé votre grill et avant de l'allumer pour la première fois, même si vous l'avez acheté entièrement assemblé.**
- **Chaque fois que vous remplissez la bouteille de GPL ou qu'une pièce relative au gaz est remplacée.**
- **Chaque fois que votre grill est déplacé.**
- **Au moins une fois par année ou après une période de plus de 60 jours d'inutilisation de votre grill.**

ÉPREUVES D'ÉTANCHÉITÉ:

1. Faire un mélange de 50 % d'eau et de 50 % de détergent à vaisselle liquide.
2. Ouvrir le couvercle
3. Vous assurer que tous les boutons de commande sont en position « ARRÊT ».
4. Ouvrir l'alimentation en combustible au robinet de la bouteille. Faire faire à la poignée du robinet de la bouteille un tour dans le sens antihoraire.
5. Appliquer du mélange savon-eau aux endroits suivants:

- Ⓐ Soudure du réservoir (bouteille) d'alimentation.
- Ⓑ Écrou de raccordement au robinet du réservoir.
- Ⓒ Arrière de l'écrou de raccordement au raccord fileté de laiton.
- Ⓓ Raccordement du raccord fileté de laiton dans régulateur.
- Ⓔ Raccords du régulateur aux tuyaux de gaz.
- Ⓕ Raccord du tuyau de gaz à la soupape du brûleur latéral.
- Ⓖ Capuchon de la soupape du brûleur latéral.
- Ⓗ Raccord du brûleur latéral au boyau.
- Ⓘ Raccord du tuyau au collecteur de gaz.
- Ⓙ La pleine longueur du tuyau du gaz.
- Ⓚ Valve de réservoir au cylindre.

Robinet du Réservoir à la Bouteille.



6. Vérifier chaque endroit indiqué (A à K) pour déceler la formation de bulles indiquant une fuite.
7. Couper l'alimentation en gaz au robinet de la bouteille.
8. Tourner les boutons de commande en position « MARCHE » pour laisser échapper la pression dans le tuyau.
9. Tourner les boutons de commande en position « ARRÊT ».
10. Serrer tous les raccords non étanches.
11. Répéter le test de l'eau savonneuse jusqu'à ce qu'aucune bulle ne se forme
12. Couper l'alimentation en gaz au robinet de la bouteille jusqu'au moment de vous servir du gril.
13. Enlever tout résidu de savon à l'aide d'eau froide et essuyer à l'aide d'une serviette.
14. Attendre cinq minutes afin de permettre à tout le gaz de quitter le secteur avant d'allumer le gril.

⚠ ATTENTION! NE PAS utiliser le gril si vous ne pouvez pas arrêter les fuites. Communiquer avec un service qualifié de réparation des appareils au gaz.

REMARQUE: Les épreuves d'étanchéité doivent être effectuées dans un endroit bien éclairé afin de voir si des bulles apparaissent. **NE PAS** utiliser une lampe de poche pour voir si des bulles se forment.

⚠ MISE EN GARDE

LISTE DE CONTRÔLE AVANT L'ALLUMAGE:

Le fait de ne pas suivre les consignes de sécurité ci-après peut entraîner des dommages, des blessures, des brûlures graves et la mort. Ces consignes doivent être appliquées une fois le gril assemblé et avant chaque utilisation. NE PAS utiliser ce gril avant d'avoir lu et compris TOUTES les mises en garde et les directives contenues dans le présent guide.

LISTE DE CONTRÔLE AVANT L'ALLUMAGE:

- Vous assurer que le gril est assemblé correctement.
- Inspecter le tuyau du gaz avant chaque utilisation pour vous assurer de l'absence de brûlures, de gerçures et de coudes et que le cheminement est correct. Si vous découvrez des traces d'usure excessive ou si le tuyau est coupé, il doit être remplacé avant d'utiliser le gril. Remplacer par le tuyau et le régulateur du modèle no 155-2400-0 que vous pouvez obtenir en communiquant avec le Service à la clientèle, au 800 527-0717.
- Vérifier la présence de fuites à tous les raccords du gaz et au tuyau. Voir la section intitulée « Épreuves d'étanchéité ».
- Vous assurer que tous les fils électriques sont bien mis à la masse. Tenir tout fil électrique et tuyau de gaz éloigné des surfaces chaudes. Le tuyau doit être à au moins trois pouces des surfaces chaudes.
- Placer votre gril sur une surface de niveau dans un endroit bien aéré, à une distance sécuritaire des matières combustibles, des bâtiments et des surplombs.
- Placer correctement le contenant à graisse vide sous l'orifice de drainage, au fond du gril, pour recevoir la graisse pendant l'utilisation.
- NE PAS obstruer la circulation de l'air de combustion et d'aération.

⚠ MISE EN GARDE

Lire, bien comprendre et respecter toutes les mises en garde et directives contenues dans le présent guide. N'omettre AUCUNE mise en garde et directive contenue dans les sections précédentes du présent guide.

⚠ MISE EN GARDE

CONSIGNES D'ALLUMAGE:

Suivre les consignes rigoureusement.

1. **OUVRIRE LE COUVERCLE DU GRIL** avant de tenter d'allumer un brûleur afin d'éviter l'accumulation de vapeurs à l'intérieur du gril. Une explosion pourrait se produire si le couvercle est fermé.
2. Vous assurer que tous les boutons de commande des brûleurs sont en position « ARRÊT » et que le robinet de la bouteille est fermé.
3. Ouvrir complètement l'alimentation en gaz en tournant la poignée du robinet de la bouteille dans le sens horaire.
4. **NE PAS** placer votre tête, votre corps ou vos bras au-dessus du gril lors de l'allumage.

ALLUMAGE DES BRÛLEURS PRINCIPAUX

1. Ouvrir le couvercle avant d'allumer un brûleur.
2. Vous assurer que tous les boutons de commande sont à la position « ARRÊT ».

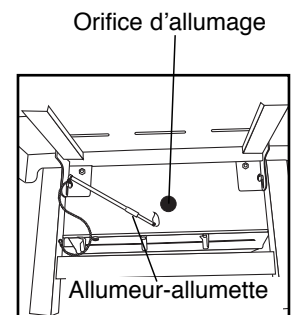
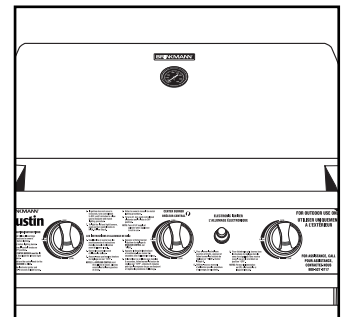
REMARQUE: Il faut allumer le BRÛLEUR CENTRAL en premier, puis ceux de gauche et de droite.

3. Enfoncer et tourner le bouton de commande du BRÛLEUR CENTRAL à la position « MAXIMUM ».
4. Appuyer sur l'allumeur électronique et le maintenir enfoncé de 3 à 5 secondes pour allumer le brûleur.
5. Si l'allumage ne se fait PAS en cinq secondes, tourner le bouton de commande à la position « ARRÊT », attendre cinq minutes pour permettre au gaz de se dissiper et répéter la procédure d'allumage.
6. Si le BRÛLEUR CENTRAL ne s'allume pas en utilisant l'allumeur électronique, attendre cinq minutes et consulter la section intitulée « Allumage des brûleurs principaux à l'aide d'une allumette ».
7. Pour allumer les brûleurs gauche et droit, enfoncer et tourner les boutons de commande à la position « MAXIMUM ». Suivre l'étape 5.
8. Pour éteindre, tourner le bouton de commande dans le sens horaire jusqu'à ce qu'il se bloque à la position « ARRÊT ». Cela ne coupe pas l'alimentation en gaz provenant de la bouteille.

REMARQUE: Si le brûleur ne s'allume pas ou si la flamme est trop faible, il se peut qu'une araignée ou un autre insecte obstrue le brûleur ou que le limiteur de débit ait été déclenché. Voir la section intitulée « Assemblage et entretien des brûleurs », sous Soins et entretien appropriés, ou la section intitulée « Procédure de réenclenchement du régulateur », sous Raccordement de la bouteille de GPL et du tuyau-régulateur au gril.

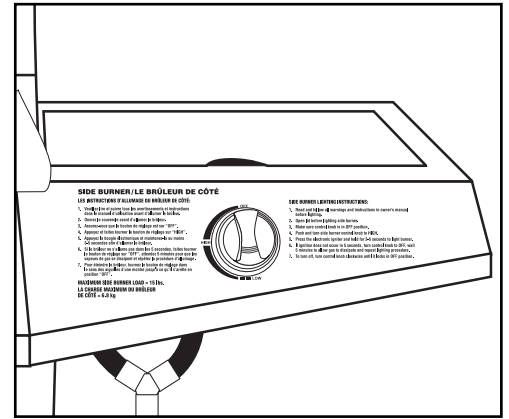
ALLUMAGE DES BRÛLEURS PRINCIPAUX À L'AIDE D'UNE ALLUMETTE:

1. Ouvrir le couvercle avant d'allumer un brûleur.
2. Tourner les boutons de commande des brûleurs à la position « ARRÊT ».
3. Placer une allumette de carton dans l'extrémité de l'allumeur-allumette. Allumer l'allumette et l'introduire dans l'orifice d'allumage, du côté gauche du gril, jusqu'à environ 1/2 po (1 à 2 cm) du brûleur..
4. Tourner à la position « MAXIMUM » le bouton de commande du brûleur à l'**EXTRÊME GAUCHE**. Le brûleur doit s'allumer en moins de 5 secondes.
5. Si le brûleur ne s'allume pas, tourner le bouton de commande à la position « ARRÊT » et attendre cinq minutes afin que le gaz se dissipe, puis répéter la procédure d'allumage.
6. Une fois ce brûleur allumé, allumer les brûleurs adjacents dans l'ordre en enfonçant et en tournant successivement les boutons de commande à la position « MAXIMUM ».
7. Si le brûleur ne s'allume pas lors des premières tentatives d'allumage à l'aide d'une allumette, l'alimentation en gaz est en cause. Couper le gaz au brûleur et à la bouteille. **NE PAS** tenter de faire fonctionner le gril tant que le problème n'aura pas été défini et corrigé. Voir la section intitulée « Dépannage » dans le présent guide.



ALLUMAGE DU BRÛLEUR LATÉRAL:

1. Ouvrir le couvercle avant d'allumer le brûleur latéral.
2. Vous assurer que le bouton de commande est à la position « ARRÊT ».
3. Enfoncer et tourner le bouton de commande du brûleur latéral à la position « MAXIMUM ».
4. Appuyer sur l'allumeur électronique, sur le panneau de commande principal, et le maintenir enfoncé de 3 à 5 secondes pour allumer le brûleur.
5. Si l'allumage Ne se fait PAS en 5 secondes, tourner le bouton de commande à la position « ARRÊT », attendre 5 minutes pour permettre au gaz de se dissiper et répéter la procédure d'allumage.
6. Pour éteindre, tourner le bouton de commande dans le sens horaire jusqu'à ce qu'il se bloque à la position « ARRÊT ».



REMARQUE: Si le brûleur ne s'allume pas ou si la flamme est trop faible, il se peut qu'une araignée ou un autre insecte obstrue le brûleur ou que le limiteur de débit ait été déclenché. Voir la section intitulée « Assemblage et entretien des brûleurs », sous Soins et entretien appropriés, ou la section intitulée « Procédure de réenclenchement du régulateur », sous Raccordement de la bouteille de GPL et du tuyau-régulateur au gril.

ALLUMAGE DU BRÛLEUR LATÉRAL À L'AIDE D'UNE ALLUMETTE:

1. Ouvrir le couvercle du brûleur latéral avant l'allumage.
2. Tourner le bouton de commande du brûleur à la position « ARRÊT ».
3. Allumer une allumette et la placer à environ 1/2 po (1 à 2 cm) du brûleur.
4. Tourner le bouton de commande du brûleur latéral à la position « MAXIMUM ». Le brûleur doit s'allumer en moins de cinq secondes.
5. Si le brûleur ne s'allume pas, tourner le bouton de commande à la position « ARRÊT » et attendre cinq minutes afin que le gaz se dissipe, puis répéter la procédure d'allumage.
6. Si le brûleur ne s'allume pas lors des premières tentatives d'allumage à l'aide d'une allumette, l'alimentation en gaz est en cause. Couper le gaz au brûleur et à la bouteille. NE PAS tenter de faire fonctionner le gril tant que le problème n'aura pas été défini et corrigé. Voir la section intitulée « Dépannage » dans le présent guide.

REMARQUE: Observer la hauteur de la flamme après l'allumage. La flamme doit être d'un bleu jaunâtre et avoir une hauteur de 1 à 2 pouces lorsque le brûleur est réglé à « MAXIMUM ».

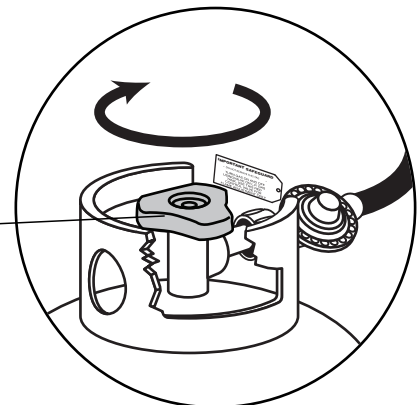


FERMETURE DU GRIL:

1. Fermer le robinet de la bouteille.
2. Tourner les boutons de commande de tous les brûleurs à la position « ARRÊT »

REMARQUE: Fermer la bouteille de GPL d'abord afin d'éviter de laisser du gaz sous pression dans le système.

Pour fermer le robinet de la bouteille, tourner la poignée dans le sens horaire jusqu'à ce qu'elle s'arrête.



⚠ ATTENTION!

- Le robinet de la bouteille doit toujours être fermé lorsque le gril n'est pas utilisé.

⚠ MISE EN GARDE

UTILISATION DU GRIL:

Ne jamais utiliser du charbon de bois ou du liquide d'allumage dans votre gril au gaz. Lire et respecter toutes les mises en garde et les directives contenues dans les sections précédentes du présent guide.

MISE EN MARCHÉ DE VOTRE GRIL:

- Dans le cadre de la fabrication et de la protection des composantes de votre gril, des résidus d'huile peuvent se trouver sur les brûleurs et les surfaces de cuisson de votre gril.
- Avant de faire de la cuisson sur votre gril pour la première fois, vous devez le préchauffer pendant 15 minutes à « MAXIMUM » pour brûler ces résidus.

PRÉCHAUFFAGE DU GRIL:

- Il est recommandé de préchauffer votre gril avant de l'utiliser. Cela assure que les surfaces de cuisson sont à la température voulue pour saisir les aliments lors de la cuisson. Après avoir allumé votre gril, régler le bouton de commande du brûleur principal à la position « MAXIMUM » pendant de 10 à 15 minutes. Fermer le couvercle pendant le préchauffage.

CONTRÔLE DES EMBRASEMENTS:

- Les embrasements font partie de la cuisson des aliments sur un gril au gaz. Cela ajoute à la saveur unique de la cuisson sur un gril au gaz. Les embrasements excessifs peuvent provoquer une cuisson excessive de vos aliments et engendrer une situation dangereuse pour vous et votre gril. Les embrasements excessifs sont le résultat de l'accumulation de graisse au fond de votre gril. Si cela se produit, NE PAS vider de l'eau sur les flammes. Cela peut provoquer des éclaboussures de graisse susceptibles de causer des brûlures ou des blessures graves. Si un incendie de graisse se produit, fermer le couvercle et fermer les brûleurs principaux jusqu'à ce que la graisse soit brûlée. Être prudent en ouvrant le couvercle, car des embrasements soudains peuvent se produire.

⚠ MISE EN GARDE

- **NE PAS laisser le gril sans surveillance pendant son utilisation.**
- **NE PAS déplacer le gril pendant son utilisation. Bloquer les roues en place afin de stabiliser le gril.**
- **NE PAS utiliser de l'eau pour éteindre les embrasements.**
- **Avoir sous la main un extincteur utilisable avec les appareils au gaz.**

RÉDUCTION DES EMBRASEMENTS AU MINIMUM:

- Enlever le surplus de gras des viandes avant de les cuire.
- Cuire les viandes à forte teneur en graisse (poulet ou porc) à de basses températures ou indirectement.
- Vous assurer que votre gril est sur une surface de niveau et que la graisse peut s'écouler par l'orifice de drainage au fond du grill dans le contenant à graisse.

CUISSON INDIRECTE:

- La cuisson indirecte consiste à cuire vos aliments sans que la source de chaleur se trouve directement sous les aliments. Vous pouvez saisir les viandes sur une flamme élevée, sur un côté du gril, tout en faisant cuire un rôti sur l'autre côté (non allumé) du gril.

CUISSON AU TOURNEBROCHE:

- Nous avons percé en usine dans votre gril des trous permettant de monter un tournebroche (vendu séparément). Ne pas utiliser un tournebroche qui n'est pas fabriqué spécialement pour ce gril.
- Lire et suivre toutes les directives fournies avec le tournebroche. Conserver les directives pour consultation future.
- Ne pas utiliser le brûleur latéral en même temps qu'un tournebroche.

⚠ MISE EN GARDE

- Lorsque vous utilisez un tournebroche à courant alternatif, il doit être mis à la masse conformément aux codes locaux ou, en l'absence de codes locaux, à ce qui suit:
 - Aux États-Unis, le National Electrical Code ANSI-NFPA no 70, dernière édition;
 - Au Canada, le Code canadien de l'électricité CSA C22.1.
- Le tournebroche est muni d'une fiche triphasée pour vous protéger contre les chocs électriques. Cette fiche doit être branchée directement dans une prise triphasée adéquatement mise à la masse. Ne jamais couper ou enlever la broche de masse. Toute rallonge utilisée doit également être munie d'une prise triphasée.
- All electrical supply cords should be kept away from water and any hot surfaces of the grill.

UTILISATION DES AUTRES CARACTÉRISTIQUES DU GRIL:

BRÛLEUR LATÉRAL:

- Le brûleur latéral peut servir à préparer des plats d'accompagnement tels que des fèves, des pommes de terre ou des sauces chaudes.
- La soupape du brûleur peut se régler de maximum à minimum selon vos besoins de cuisson.

⚠ MISE EN GARDE

- Lire les consignes d'allumage de votre gril pour allumer le brûleur latéral.
- Ne jamais fermer le couvercle du brûleur latéral lorsque le brûleur est allumé.
- Utiliser une marmite de 10 pouces de diamètre ou moins SANS poignée allongée lorsque vous cuisinez sur le brûleur latéral. Placer la marmite au centre du brûleur.
- Ne jamais placer un poids de plus de 15 livres sur le brûleur latéral. Le brûleur latéral n'est pas construit pour supporter un poids de plus de 15 livres.
- Faire preuve de prudence afin d'éviter de frapper le gril, le brûleur latéral ou la marmite pour éviter que la marmite déverse son contenu et provoque des brûlures graves.
- NE PAS utiliser le brûleur latéral pour frire des aliments dans l'huile afin d'éliminer les dangers reliés à l'huile qui s'enflamme et crée une situation très dangereuse.

CONSEILS DE CUISSON SUR LE GRIL

PROPRETÉ

- Toujours vous laver les mains à fond avec du savon et de l'eau chaude avant de manipuler des aliments et après avoir manipulé de la viande crue, de la volaille non cuite ou des fruits de mer.
- Lorsque vous utilisez un plateau pour transporter de la viande crue, de la volaille non cuite ou des fruits de mer jusqu'au gril, vous assurer de laver le plateau à fond avec du savon et de l'eau chaude avant de placer ensuite des aliments cuits sur le plateau, ou utiliser des plateaux différents pour les aliments crus et cuits.
- Ne jamais utiliser les mêmes ustensiles pour manipuler de la viande crue, de la volaille non cuite ou des fruits de mer à moins de laver les ustensiles à fond avec du savon et de l'eau chaude.
- Ne jamais réutiliser de la marinade provenant de viande crue ou de volaille non cuite sur des aliments qui ont été cuits et qui sont prêts à servir.

GRILLAGE À LA BONNE TEMPÉRATURE

- Utiliser un thermomètre à viande pour vous assurer que les aliments ont atteint une température interne sécuritaire. Vous pouvez commander un thermomètre de qualité commerciale chez Brinkmann. Pour obtenir de plus amples renseignements sur ce produit et d'autres accessoires de Brinkmann, veuillez consulter les pages des accessoires, à la fin du présent guide.
- Le département américain de l'Agriculture recommande des températures **minimales** à atteindre pour les aliments suivants:

Côtelettes145 degrees F

Viande hachée160 degrees F

Porc160 degrees F

Volaille180 degrees F

Rôti145 degrees F

Fruits de mer140 degrees F

Légumes145 degrees F

CONSEILS UTILES

- Si vous précuisez la viande ou la volaille, le faire immédiatement avant de la griller.
- Ne jamais décongeler la viande à la température de la pièce ou en la laissant sur un comptoir.
- Réfrigérer les restes dans les deux heures suivant le retrait des aliments du gril.
- Pour de plus amples renseignements, veuillez téléphoner au service de téléassistance sur la viande et la volaille de l'USDA, au 800-535-4555.

SOINS ET ENTRETIEN APPROPRIÉS

- Pour protéger votre gril contre la corrosion excessive, il faut garder le gril propre et couvert en tout temps lorsqu'il n'est pas utilisé. Vous pouvez commander une housse de gril directement de Brinkmann en composant le 800-468-5252 ou le 800-527-0717.
- Laver les grilles de cuisson et les plaques de diffusion thermique avec de l'eau chaude savonneuse, bien rincer et assécher. Couvrir les grilles de cuisson d'une mince couche d'huile végétale ou d'un embrun d'huile végétale.
- Nettoyer l'intérieur et l'extérieur du gril à l'aide d'un linge humide. Appliquer une mince couche ou un embrun d'huile végétale sur la surface intérieure pour empêcher la corrosion.
- Vous pouvez nettoyer la surface extérieure de votre gril en acier inoxydable à l'aide d'un produit nettoyant pour l'acier inoxydable.
- Si de la corrosion fait son apparition sur la surface extérieure peinte de votre gril, nettoyer et poncer la surface touchée à l'aide de laine d'acier ou de toile d'émeri à grains fins. Retoucher à l'aide d'une peinture de bonne qualité résistant aux hautes températures.
- Ne jamais appliquer de la peinture sur la surface intérieure. Les taches de corrosion sur la surface intérieure peuvent être poncées et nettoyées, puis recouvertes d'une mince couche ou d'un embrun d'huile végétale pour restreindre la corrosion.

NETTOYAGE ET ENTRETIEN:

- Tenir l'appareil à l'écart des produits combustibles, de l'essence et des liquides ou vapeurs inflammables.
- Garder les ouvertures d'aération de l'enceinte de la bouteille dégagées et exemptes de débris.
- Vérifier visuellement le bon fonctionnement des flammes des brûleurs (voir l'illustration dans la section intitulée « Assemblage et entretien des brûleurs » sous Soins et entretien appropriés). Des araignées ou d'autres insectes peuvent faire leur nid dans le brûleur, bloquant ainsi le gaz.
- Pour assurer une utilisation sécuritaire et la performance optimale de votre gril, procéder à ces vérifications au moins deux fois par année ou après les périodes prolongées d'entreposage.
- Veiller à bien serrer toutes les pièces de quincaillerie (écrous, boulons, vis, etc.) au moins deux fois par année.

⚠ ATTENTION! Les bords de certaines pièces peuvent être coupants. Porter des gants de protection au besoin.

- Retirer les grilles de cuisson, les plaques de diffusion thermique et les brûleurs de l'intérieur de votre gril. Enlever les résidus excessifs à l'aide d'une brosse, d'eau chaude et de détergent. **NE JAMAIS** vous servir de produit commercial à nettoyer les fours. Bien rincer à l'eau. Assécher avec une serviette et replacer tous les composants de la manière décrite dans les consignes d'assemblage.

ASSEMBLAGE ET ENTRETIEN DES BRÛLEURS

- Bien que les brûleurs soient fabriqués d'acier inoxydable, il est possible qu'ils rouillent en raison de la chaleur extrême et des acides qui se dégagent de la cuisson des aliments. Vérifier régulièrement les brûleurs pour y déceler des fissures, des trous anormaux et d'autres signes de dommages causés par la corrosion. Si vous en découvrez, remplacer le brûleur.
- **NE PAS obstruer la circulation de l'air de combustion ou d'aération.** Les tubes des brûleurs peuvent se bloquer si des araignées et d'autres insectes y construisent leur nid. Des tubes de brûleurs bloqués peuvent empêcher le gaz de parvenir aux brûleurs et provoquer un incendie de tube de brûleur ou un incendie derrière le gril. Pour nettoyer un brûleur, suivre ces directives pour nettoyer ou remplacer les pièces du brûleur ou si vous éprouvez des difficultés à allumer le gril.

1. Couper le gaz au moyen des boutons de commande et du robinet de la bouteille de GPL.
2. Retirer les grilles de cuisson et les plaques de diffusion thermique.
3. Enlever les vis de la base de chaque brûleur à l'aide d'un tournevis.
4. Soulever doucement chaque brûleur et l'éloigner des ouvertures de soupape.
5. Passer une petite brosse à bouteille ou un fil rigide replié en crochet dans chaque tube de brûleur et orifice de combustion plusieurs fois.

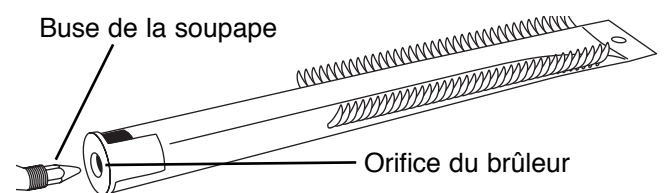
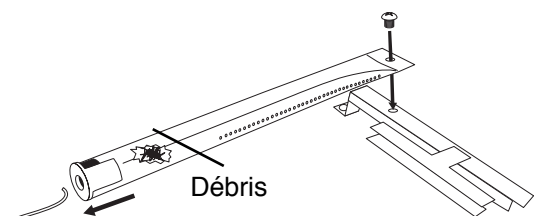
REMARQUE: Porter un protecteur oculaire pour exécuter l'étape 6.

6. Souffler de l'air comprimé dans le tube du brûleur et les orifices de combustion. Vous assurer que l'air sort de chaque orifice de combustion.
7. Brosser toute la surface externe du brûleur pour enlever les résidus d'aliments et la saleté.
8. Vérifier si le brûleur est endommagé, et si vous découvrez des fissures ou des trous importants, remplacer le brûleur.

IMPORTANT: Le bout du brûleur doit glisser sur la buse de la soupape.

9. Remettre soigneusement les brûleurs en place.
10. Replacer les vis de chaque brûleur et suivre les directives de la section « Épreuves d'étanchéité » du présent guide. Allumer les brûleurs pour vérifier leur bon fonctionnement.

11. Remettre les grilles de cuisson et les plaques de diffusion thermique en place.



BON FONCTIONNEMENT DU BRÛLEUR

GRILLES DE CUISSON

- Nettoyer à l'aide de détergent doux et d'eau. Vous pouvez utiliser une brosse de laiton ou un tampon de nettoyage de nylon pour enlever les résidus des surfaces d'acier inoxydable. Ne pas utiliser une brosse d'acier pour nettoyer les grilles de cuisson. L'acier peut faire écailler ou fendiller le fini. NE PAS vous servir d'un produit commercial à nettoyer les fours.

PLAQUES DE DIFFUSION THERMIQUE

- Il peut être nécessaire d'inspecter et de nettoyer régulièrement les plaques de diffusion thermique pour empêcher l'accumulation excessive de graisse. Lorsque le gril est froid, retirer les grilles de cuisson. Vérifier les plaques de diffusion thermique et les remplacer si elles sont cassées ou endommagées. Ne pas laisser les plaques de diffusion thermique devenir endommagées au point où elles pourraient tomber sur les brûleurs. Remettre les plaques de diffusion thermique et les grilles de cuisson et allumer les brûleurs. Faire fonctionner à « MAXIMUM » pendant 10 minutes pour éliminer l'excès de graisse.

MISE EN GARDE

TRANSPORT ET ENTREPOSAGE:

- **Ne jamais déplacer le gril lorsqu'il est chaud ou que des objets se trouvent sur les surfaces de cuisson.**
- **Vous assurer que le robinet de la bouteille est fermé. Après avoir déplacé le gril, vous assurer qu'il n'y a aucune fuite à tous les raccords de gaz. Voir les directives sur les épreuves d'étanchéité.**
- **NE PAS ranger une bouteille de GPL de réserve (pleine ou vide) sous votre gril ou à proximité.**
- **Ne jamais ranger des liquides inflammables ou des aérosols sous votre gril ou à proximité.**
- **NE PAS utiliser de l'eau pour éteindre les incendies de graisse.**
- **Si l'appareil au gaz de cuisine en plein air n'est pas utilisé, l'alimentation en gaz doit être coupée à la bouteille d'alimentation.**
- **L'entreposage d'un appareil au gaz de cuisine en plein air n'est admissible que si la bouteille est débranchée et retirée de l'appareil.**
- **Les bouteilles doivent être entreposées à l'extérieur, hors de la portée des enfants, et non dans un bâtiment, un garage ou tout autre endroit fermé.**
- **Lors de la remise du gril en service, des nids d'araignées ou d'autres débris peuvent bloquer les brûleurs. Consulter la section intitulée « Assemblage et entretien des brûleurs » sous Soins et entretien appropriés.**

AVANT D'ENTREPOSER VOTRE GRIL:

- Vous assurer que le robinet de la bouteille est bien fermé.
- Nettoyer toutes les surfaces.
- Couvrir les brûleurs d'une mince couche d'huile à friture pour empêcher la corrosion excessive.
- Si vous entreposez le gril à l'intérieur, débrancher le réservoir de GPL et le laisser À L'EXTÉRIEUR.
- Placer un capuchon protecteur sur le réservoir de GPL et ranger le réservoir à l'extérieur, dans un endroit bien aéré à l'abri de l'ensoleillement direct.
- Nettoyer les brûleurs avant de vous en servir après une période d'entreposage, au début de la saison d'utilisation ou après une période de plus d'un mois d'inutilisation. Les araignées et les insectes aiment construire leurs nids dans les tubes des brûleurs (particulièrement durant la saison froide). Ces nids peuvent provoquer des incendies dans les tubes des brûleurs ou sous le gril.
- Si vous entreposez le gril à l'extérieur, couvrir le gril d'une housse de protection contre les intempéries. Vous pouvez commander une housse de gril directement de Brinkmann en composant le 800 468-5252 ou le 800 527-0717.

DÉPANNAGE

Problème:	Causes Possibles:
<ul style="list-style-type: none"> • Un brûleur ne s'allume pas 	<ol style="list-style-type: none"> 1. Vérifier le niveau de propane liquéfié dans la bouteille. 2. Étincelle d'électrode défectueuse. Vérifier pour voir s'il est possible d'allumer le gril à l'aide d'une allumette. Il peut être nécessaire de régler l'électrode ou la tubulure. 3. Le brûleur n'est peut-être pas bien en place. 4. Le brûleur est peut-être obstrué. 5. Le robinet de la bouteille est peut-être fermé. 6. Le détendeur n'est pas bien en place sur le robinet de la bouteille.
<ul style="list-style-type: none"> • Feu au niveau d'une manette 	<ol style="list-style-type: none"> 1. Les trous du brûleur sont peut-être obstrués. Voir la rubrique "Assemblage / entretien des brûleurs" de la section "Entretien approprié". 2. Le brûleur n'est pas bien en place sur la vanne. 3. Les raccords de gaz sont peut-être desserrés. Contrôler l'étanchéité et serrer tous les raccords.
<ul style="list-style-type: none"> • Flammes jaunes au niveau d'un brûleur 	<ol style="list-style-type: none"> 1. Le brûleur est obstrué. Voir la rubrique "Assemblage / entretien des brûleurs" de la section "Entretien approprié".
<ul style="list-style-type: none"> • Extinction de flamme sur "LOW" (minimum) 	<ol style="list-style-type: none"> 1. Les trous du brûleur sont peut-être obstrués. Voir la rubrique "Assemblage / entretien des brûleurs" de la section "Entretien approprié". 2. Le gril n'est pas préchauffé suffisamment. 3. Le brûleur n'est pas bien en place sur la vanne.
<ul style="list-style-type: none"> • Un brûleur ne chauffe pas suffisamment 	<ol style="list-style-type: none"> 1. Le limiteur de débit a été activé dans le détendeur. Voir la rubrique "Réinitialisation du détendeur" de la section "Raccordement de la bouteille de propane liquéfié et de l'ensemble tuyau / détendeur au gril".
<ul style="list-style-type: none"> • Le gril est trop chaud 	<ol style="list-style-type: none"> 1. Accumulation excessive de graisse causant des feux de graisse. 2. Détendeur endommagé ou défectueux. Le remplacer par un modèle agréé par l'usine. 3. Cuire à une température inférieure.

QUESTIONS POSÉES FRÉQUEMMENT

Le numéro de série et celui de modèle du gril, ainsi que les informations permettant de contacter le service clientèle de Brinkmann, figurent sur la plaque signalétique argentée qui se trouve sur l'arrière du gril ou sur le côté de l'habillage de celui-ci, sous la tablette latérale.

Ces questions et réponses sont d'ordre général et peuvent ne pas s'appliquer à ce modèle de gril.

Question: Pourquoi mon gril ne s'allume-t-il pas correctement?

Réponse: Toujours suivre les instructions d'allumage figurant sur le panneau de commande ou dans cette notice. Vérifier également l'existence possible des causes suivantes:

- Vérifier l'arrivée de propane liquéfié.
- Vérifier que tous les branchements de gaz sont bien serrés.
- Il se peut que la pile AA de l'allumeur doive être remplacée.
- Les fils d'allumage sont peut-être mal branchés. Retirer la pile, examiner le boîtier de raccordement de l'allumeur, qui se trouve derrière le panneau de commande, et rebrancher tout fil mal branché.
- Il se peut que les pointes d'électrodes d'allumage doivent être repositionnées. Après avoir coupé l'arrivée de gaz et tourné les manettes en position "OFF" (arrêt), appuyer sur le bouton d'allumeur et demander à une autre personne d'observer les pointes d'électrodes pour voir si une étincelle y est produite. La pointe d'électrode doit être écartée de 5mm (3/16 po) environ du récepteur d'étincelle. Si la pointe d'électrode doit être réglée, la recourber pour obtenir l'écartement approprié.
- Vérifier que l'extrémité de chaque venturi de brûleur se trouve dans la position correcte par-dessus son raccord d'orifice de vanne de gaz.
- Le tuyau de gaz est peut-être obstrué. Pour résoudre ce problème, débrancher l'ensemble tuyau / détendeur de propane liquide ou le tuyau de gaz naturel du gril. Ouvrir l'arrivée de gaz pendant une seconde pour voir s'il y a obstruction. S'il n'y a pas d'obstruction, raccorder le tuyau de combustible. Si le tuyau est bouché, le remplacer par un ensemble tuyau / détendeur neuf.
- Si une obstruction est soupçonnée dans l'ensemble tuyau / détendeur, un orifice ou des vannes de gaz, appeler le service clientèle de Brinkmann au 800-527-0717.

Question: Pourquoi mon gril à propane liquéfié a-t-il une flamme faible ou de couleur orange / jaune?

Réponse: Il est nécessaire de purger le tuyau de gaz de l'air qui s'y trouve ou de réinitialiser le limiteur de débit du détendeur. L'ouverture du robinet de la bouteille à fond ou trop rapidement déclenche l'interruption de la circulation de gaz par le limiteur de débit, ce qui empêche le gril de recevoir un débit de gaz excessif.

REMARQUE: effectuer cette opération lors de chaque raccordement d'une bouteille neuve de propane liquéfié au gril.

RÉINITIALISATION DU LIMITEUR DE DÉBIT DU DÉTENDEUR

- Tourner la manette en position "OFF" (arrêt).
- Couper l'arrivée de propane liquéfié en fermant le robinet de la bouteille.
- Débrancher le détendeur de la bouteille de propane liquéfié.
- Laisser la bouteille débranchée pendant deux minutes.
- Rebrancher le détendeur à la bouteille de propane liquéfié.
- Ouvrir le couvercle du gril ou celui du brûleur latéral. Ouvrir lentement d'un quart ou de moitié le robinet de la bouteille.
- Allumer le gril en suivant les instructions figurant sur le panneau de commande ou dans cette notice d'utilisation.

Question: Comment et quand nettoyer les éléments intérieurs de cuisson de mon gril?

Réponse: Utiliser une brosse en crin ou en laiton pour nettoyer l'intérieur du gril, les grilles de cuisson, les plaques de rayonnement de chaleur et la lèchefrite. Ne jamais utiliser une brosse ni un grattoir métalliques sur les pièces émaillées pour éviter de les rayer ou de les ébrécher et de faciliter ainsi la rouille.

QUESTIONS POSÉES FRÉQUEMMENT

Nettoyage des grilles de cuisson en acier inoxydable: Laver les grilles avec un détergent doux et les rincer à l'eau chaude avant de les utiliser pour la première fois et selon le besoin. NE PAS utiliser un nettoyant pour four du commerce. Pour enlever les résidus coriaces d'aliments, utiliser un dégraissant et une brosse en crin ou en laiton.

Nettoyage des grilles de cuisson en fonte émaillée: Laver les grilles avec un détergent doux et les rincer à l'eau chaude avant de les utiliser pour la première fois et selon le besoin. Pour enlever les résidus coriaces d'aliments, utiliser un dégraissant et une brosse en crin ou en laiton. Les sécher immédiatement avec un chiffon doux ou du papier essuie-tout.

Nettoyage des plaques de rayonnement de chaleur: Nettoyer les plaques de rayonnement de chaleur chaque fois que des aliments ou de la graisse coulent pour réduire les risques de flambées soudaines. Laver les plaques avec un détergent doux et les rincer à l'eau chaude. Pour enlever les résidus coriaces d'aliments, utiliser un dégraissant et une brosse en crin ou en laiton. Ne pas utiliser une brosse ni un grattoir métalliques sur les plaques de rayonnement de chaleur émaillées pour éviter de les rayer ou de les ébrécher et de faciliter ainsi la rouille.

Nettoyage de la lèchefrite et/ou de la boîte à graisse: Examiner la lèchefrite et/ou la boîte à graisse (certains modèles) avant chaque utilisation du gril pour réduire le risque d'incendie. Enlever la graisse (une spatule en plastique est bien adaptée à cette tâche) et laver toutes les pièces avec un mélange de savon ou de dégraissant doux et d'eau chaude.

Question: qu'est-ce qui fait rouiller les pièces du gril et quel effet cela a-t-il sur les matériaux dont celui-ci est fabriqué?

Réponse: La formation de rouille est un processus d'oxydation naturel qui peut affecter les pièces en fonte et en acier. La rouille n'affectera pas à court terme le rendement du gril. Les pièces en acier inoxydable de celui-ci ne rouilleront pas. Toutefois, un couvercle en acier inoxydable peut prendre la couleur du bronze sous l'action des intempéries ou d'une très forte chaleur. Il s'agit alors d'une décoloration et non de rouille et cela n'est pas considéré comme un défaut de fabrication.

Question: qu'est-ce qui cause la décoloration du couvercle de mon gril et comment le nettoyer?

Réponse: La fumée, les intempéries et une forte chaleur peuvent faire prendre la couleur du bronze au couvercle en acier inoxydable d'un gril. Ce phénomène ne doit pas être confondu avec la formation de rouille et ne constitue pas un défaut de fabrication. Les huiles pour machines utilisées au cours du processus de production de l'acier inoxydable tout comme les huiles de cuisson et un encrassement du couvercle du gril peuvent également contribuer à la décoloration si le couvercle n'est pas nettoyé avant l'utilisation du gril. Une fois le gril assemblé, enlever la pellicule protectrice de PVC du couvercle du gril, puis utiliser un nettoyant pour acier inoxydable et un chiffon doux pour enlever les résidus d'adhésif et d'huiles de l'intérieur et de l'extérieur du couvercle. Ne jamais utiliser de nettoyants ou tampons à récurer abrasifs. En plus du nettoyage initial, un nettoyage régulier du couvercle pour le décrasser, le dégraisser et le déshuiler contribuera à décourager sa décoloration.

Question: puis-je convertir mon gril du propane au gaz naturel?

Réponse: La plupart des grils sont fabriquée conformant aux spécifications exactes et sont certifiées pour l'usage seulement de propane ou de gaz naturel. Cependant, quelques modèles peuvent être convertis sûrement avec les trousse de rechange fournies pour des modèles particuliers. Afin de trouver si votre gril peut être converti, contacter Brinkmann Service à la Clientèle au 800-527-0717.

Question: pourquoi l'ensemble tuyau / détendeur fourni avec mon gril ne s'adapte-t-il pas aux anciennes bouteilles de propane liquéfié que j'ai utilisées pendant de nombreuses années?

Réponse: Le gouvernement américain réglemente les appareils à gaz et les bouteilles de propane liquéfié. Lorsque la réglementation a été modifiée, les raccords de gaz des bouteilles de propane liquéfié ont été modernisés pour être conformes aux nouvelles spécifications. Si la bouteille de propane liquéfié ne s'adapte pas à l'ensemble tuyau / détendeur fourni avec le gril, elle est obsolète et doit être remplacée. REMARQUE: à compter du 1er avril 2002, toutes les bouteilles de propane liquéfié commercialisées doivent être équipées d'un dispositif de protection contre le remplissage excessif. Ce dispositif interne empêche le remplissage excessif de la bouteille de propane liquéfié. Les bouteilles qui ne sont pas pourvues d'un tel dispositif ne peuvent être remplies.

Question: j'entend parfois un ronflement en provenance de mon détendeur. Dois-je m'inquiéter?

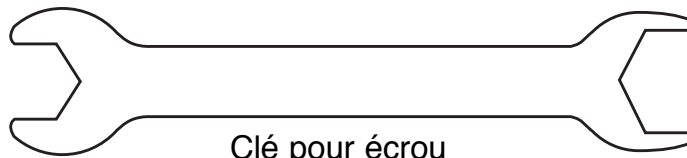
Réponse: Le ronflement est produit par le gaz traversant le détendeur. Un faible bruit est normal et n'a aucune influence sur le fonctionnement du gril. Si le ronflement est bruyant et excessif, il est nécessaire de purger le tuyau de gaz de l'air qu'il contient ou de réinitialiser le limiteur de débit du détendeur en procédant comme indiqué à la rubrique "Réinitialisation du détendeur" de la section "Raccordement de la bouteille de propane liquéfié et de l'ensemble tuyau / détendeur au gril". Effectuer cette opération chaque fois qu'une bouteille neuve de propane liquéfié est raccordée au gril. Voir la notice d'utilisation ou appeler le service clientèle de Brinkmann au 800-527-0717.

CONTENU DU SAC DE PIÈCES

Vous assurer d'avoir tous les articles énumérés sous **LISTE DES PIÈCES** et **CONTENU DU SAC DE PIÈCES** avant de débuter le processus d'installation.

CONTENU DU SAC DE PIÈCES:

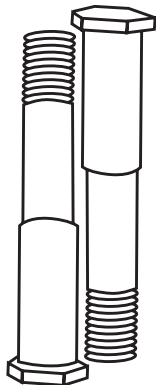
Qté.		Qté	
1	Clé écrou hexagonal	14	Rondelles éventail
1	Pile alcaline AA/1,5 V	2	Boulons essieux
1	Tournevis	2	Rondelles de roue
24	Boulons M6 X 12 mm	3	Vis autotaraudeuses no 8



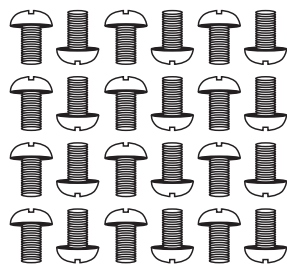
Clé pour écrou hexagonal



Pile alcaline AA /1,5 V



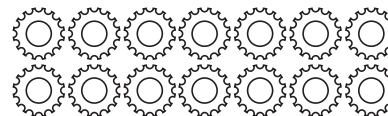
Boulons essieux



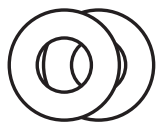
Boulons M6 X 12 mm



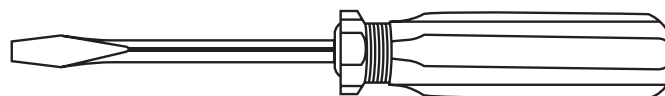
Autotaraudeuses no 8



Rondelles éventail



Rondelles de roue



Tournevis

CONSIGNES D'ASSEMBLAGE

▲ LIRE ATTENTIVEMENT TOUTES LES MISES EN GARDE DE SÉCURITÉ ET LES CONSIGNES D'ASSEMBLAGE AVANT D'ASSEMBLER OU D'UTILISER VOTRE GRIL.

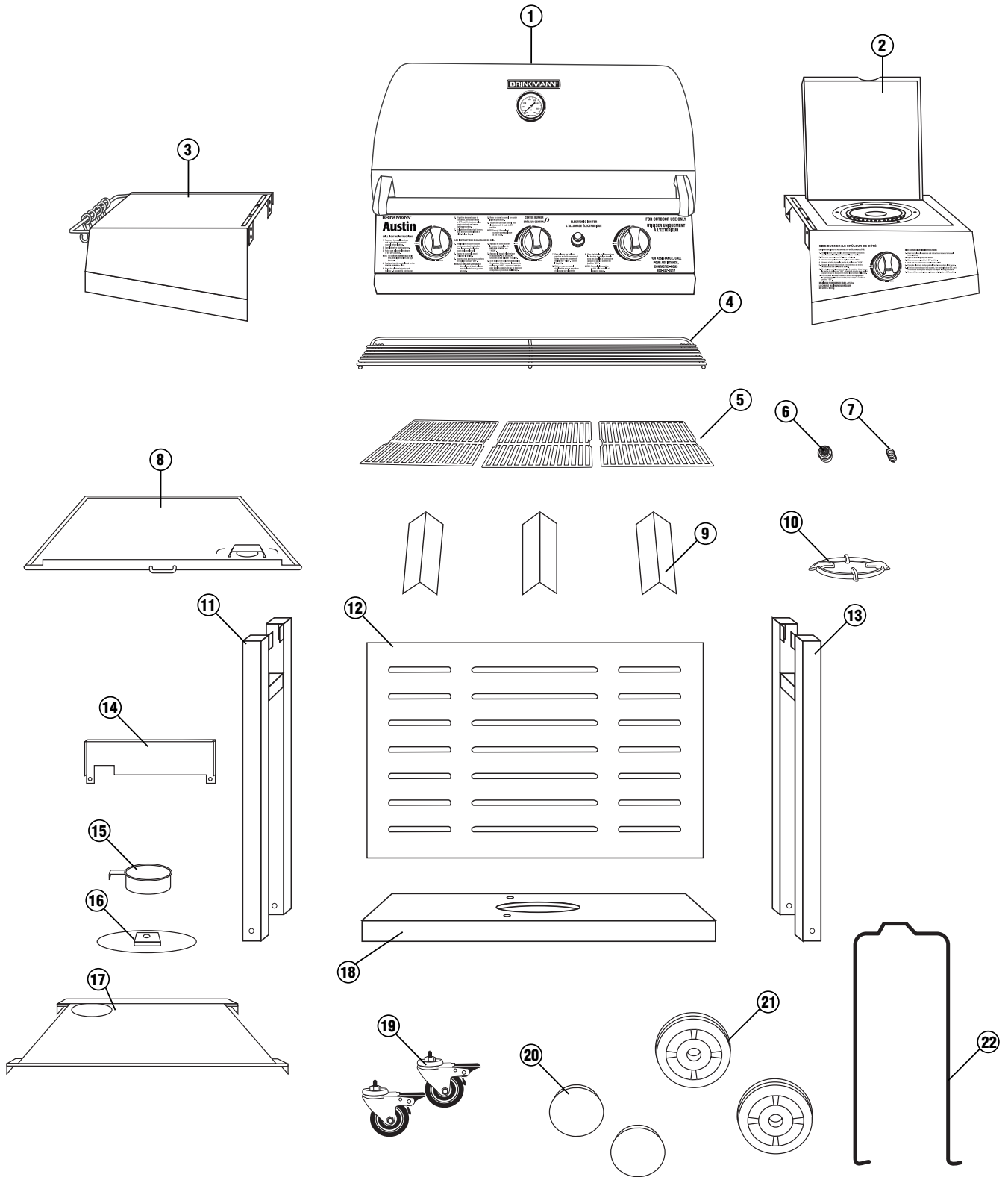
NOUS RECOMMANDONS QUE DEUX PERSONNES S'OCCUPENT D'ASSEMBLER CET APPAREIL.

Il faut environ 15 minutes pour assembler ce gril. Les outils fournis suivants sont nécessaires à l'assemblage du gril ProSeries 6330 de Brinkmann:

- Tournevis à tête plate
- Clé pour écrou hexagonal

LISTE DES PIÈCES:

①	1	Corps du grill	⑫	1	Panneau avant du chariot
②	1	Tablette de brûleur latéral	⑬	1	Patte droite du chariot
③	1	Tablette gauche	⑭	1	Pare-chaleur du tuyau
④	1	Chauffe-plats	⑮	1	Contenant à graisse
⑤	3	Grilles de cuisson	⑯	1	Pare-chaleur du réservoir
⑥	1	Bouton d'allumeur électronique	⑰	1	Plaque de pare-chaleur
⑦	1	Ressort d'allumeur électronique	⑱	1	Base du chariot
⑧	1	Plateau à graisse	⑲	2	Roulettes à blocage
⑨	3	Plaques de diffusion thermique	⑳	2	Enjoliveurs
⑩	1	Grille de brûleur latéral	㉑	2	Roues
⑪	1	Patte gauche du chariot	㉒	1	Fil de sûreté du réservoir



POUR LES PIÈCES MANQUANTES, VEUILLEZ COMMUNIQUER AVEC LE SERVICE À LA CLIENTÈLE AU 800 527-0717.

(Une preuve d'achat sera exigée.)

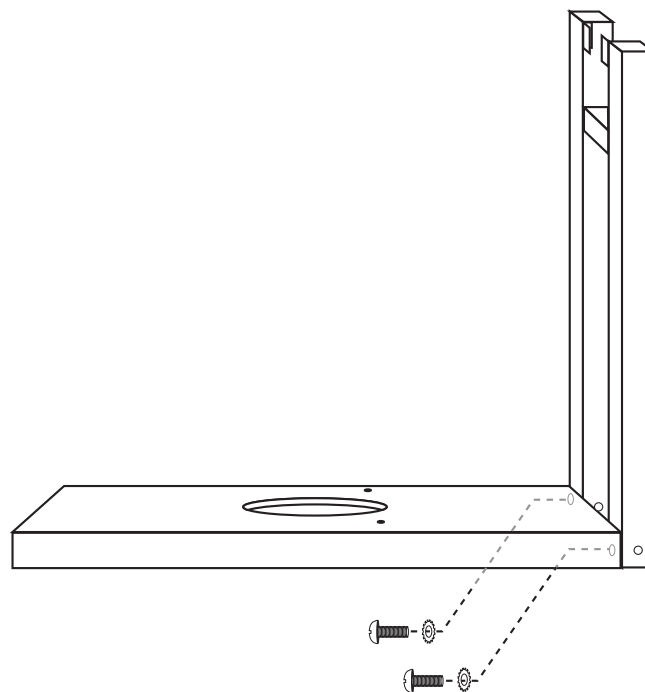
Vérifier le contenu de la boîte pour vous assurer que toutes les pièces sont là et en bon état.

Choisir un espace d'assemblage dégagé et demander à un ami de vous aider à assembler votre gril. Étendre un carton pour protéger le fini du gril et la surface d'assemblage.

⚠ ATTENTION! Les bords de certaines pièces peuvent être coupants. Porter des gants de protection au besoin.

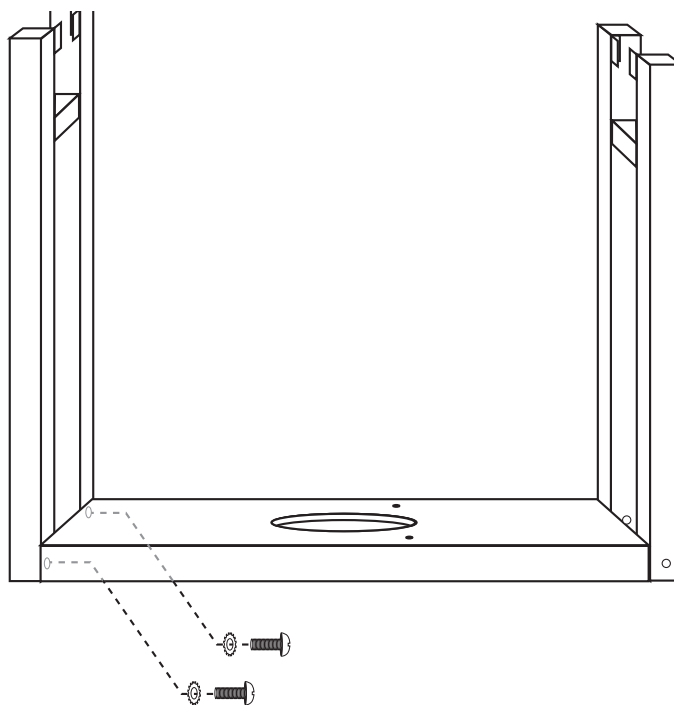
Étape 1

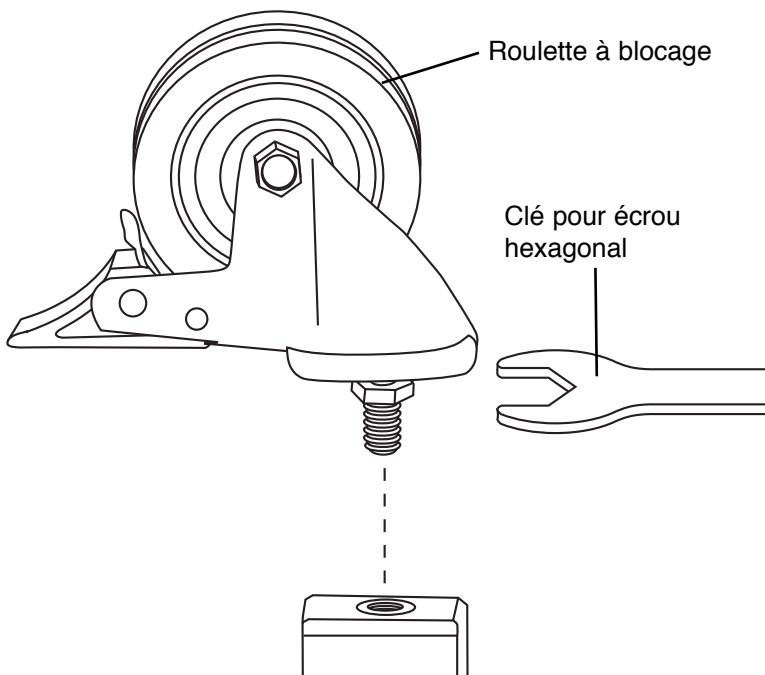
Assembler la tablette inférieure et le panneau droit du chariot à l'aide de deux boulons M6 X 12 mm et de rondelles éventail (serrer à la main à ce point).



Étape 2

Assembler la tablette inférieure et le panneau gauche du chariot à l'aide de deux boulons M6 X 12 mm et de rondelles éventail. Serrer les quatre boulons M6 X 12 mm et les rondelles éventail à ce moment.



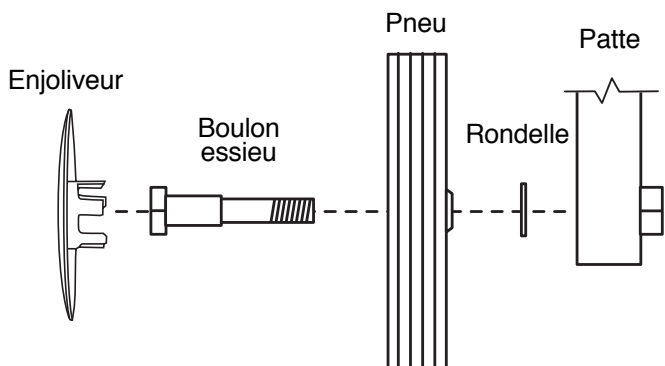


Étape 3

Avec l'aide d'un ami, retourner le chariot assemblé. Essayer de garder au minimum la pression sur la tablette inférieure.

Étape 4

Fixer les roulettes à blocage au bas du panneau gauche du chariot. Serrer solidement les boulons des roulettes à l'aide de la clé pour écrou hexagonal fournie dans l'emballage de pièces.

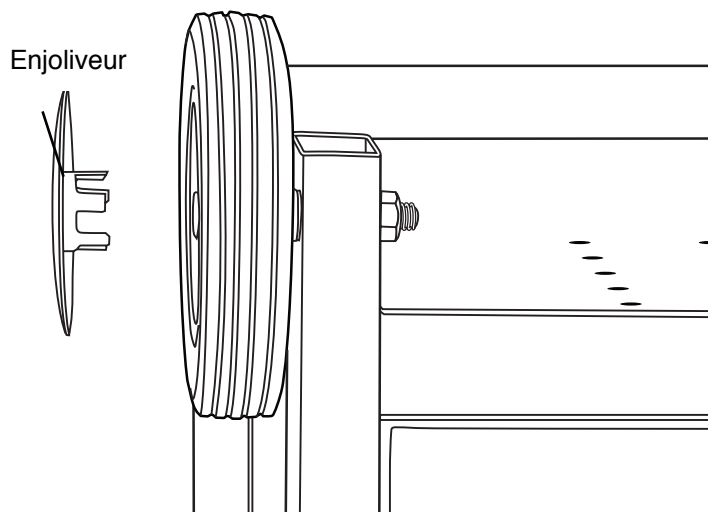


Étape 5

Installer les roues de la manière illustrée en insérant les boulons essieux dans les roues, les rondelles et les trous du panneau droit. Serrer solidement les boulons essieux à l'aide de la clé pour écrou hexagonal fournie dans l'emballage de pièces.

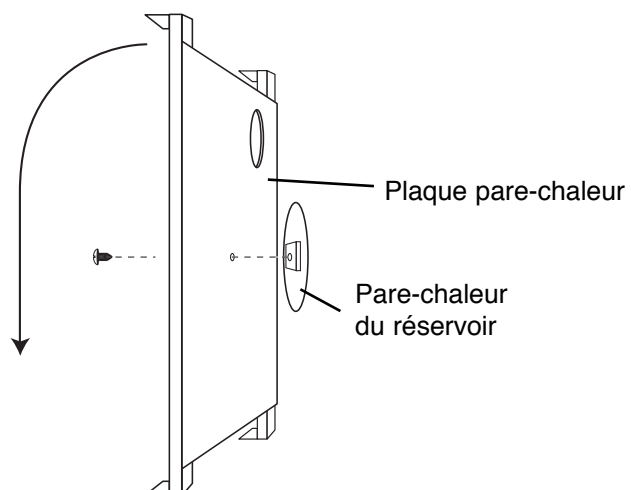
Étape 6

Emboîter les enjoliveurs sur l'extérieur des roues, tel qu'illustré.



Étape 7

Avec l'aide d'un ami, retourner le chariot en position verticale.

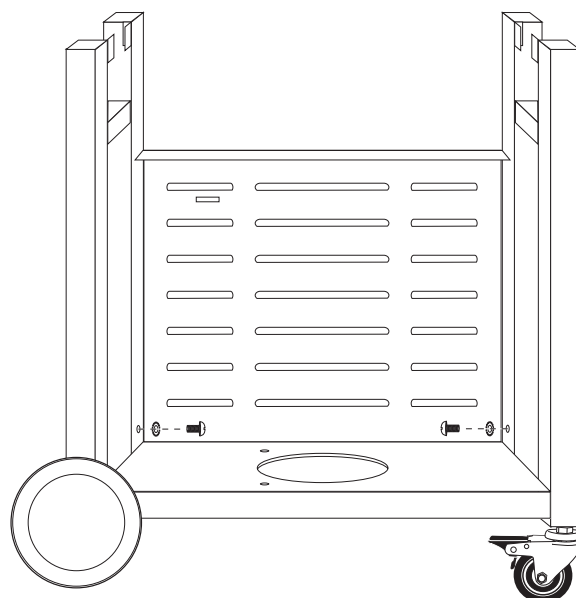


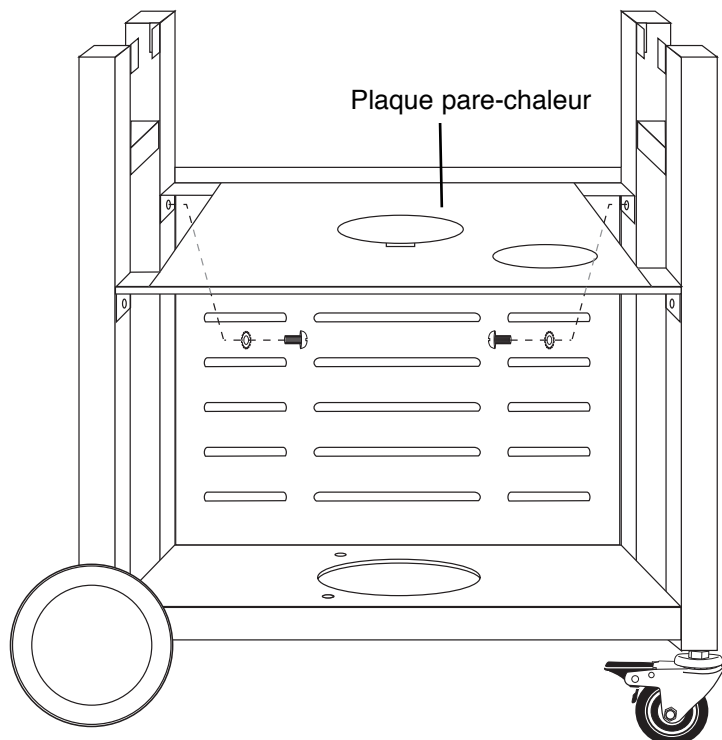
Étape 8

Fixer le pare-chaleur du réservoir à la plaque pare-chaleur à l'aide d'une vis autotaraudeuse no 8.

Étape 9

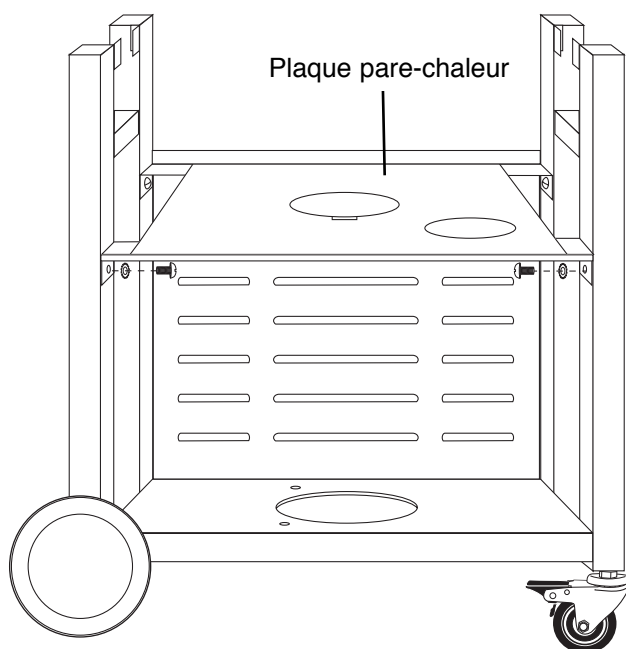
Fixer la panneau avant aux pattes inférieures gauche et droite du chariot à l'aide de deux boulons M6 X 12 mm et de rondelles éventail.





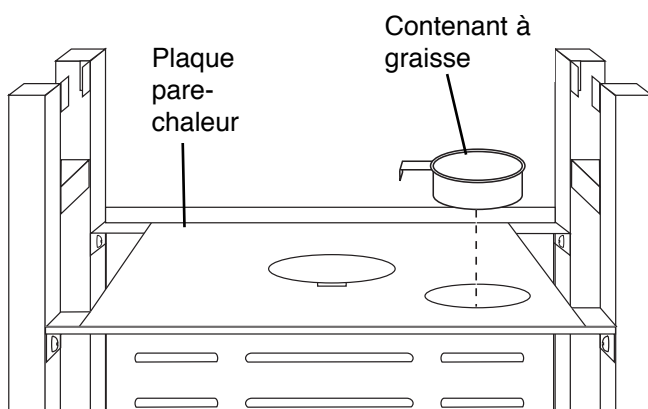
Étape 10

Fixer la plaque pare-chaaleur et le panneau avant au devant du cadre du chariot à l'aide de deux boulons M6 X 12 mm et de rondelles éventail.



Étape 11

Fixer la plaque pare-chaaleur à l'arrière du cadre du chariot à l'aide de deux boulons M6 X 12 mm et de rondelles éventail.



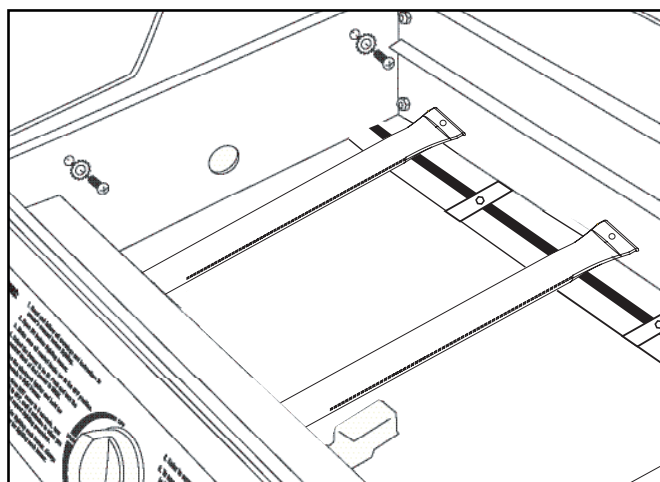
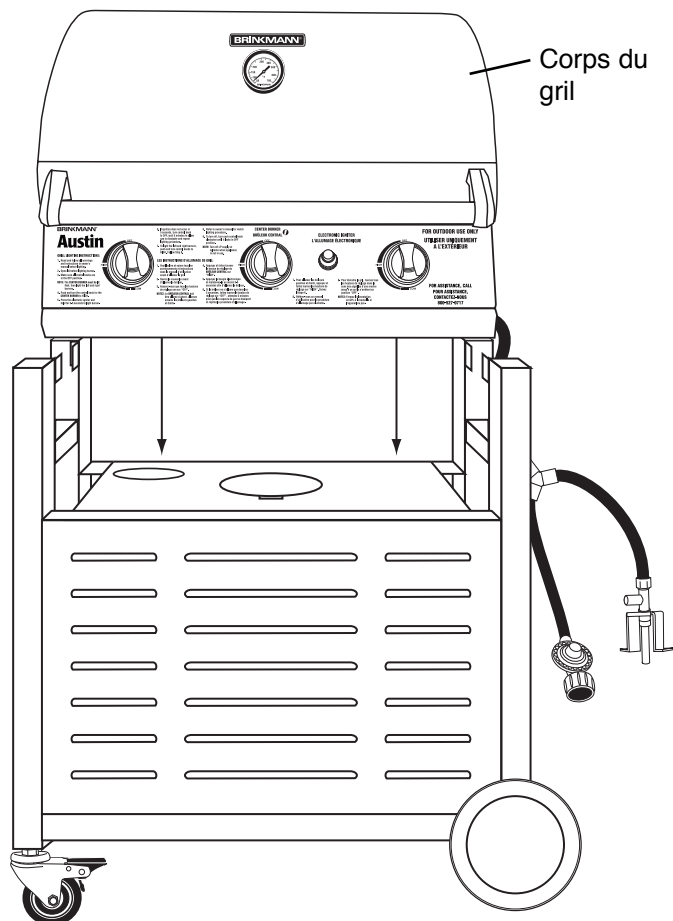
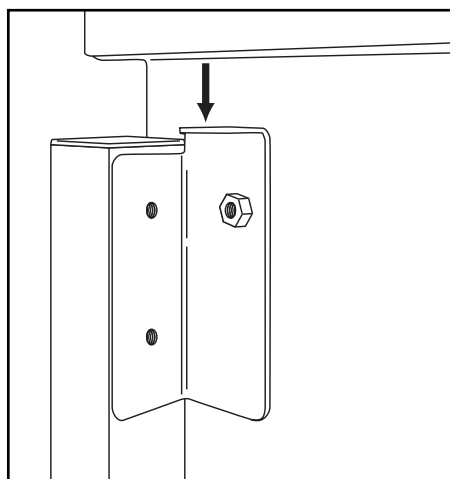
Étape 12

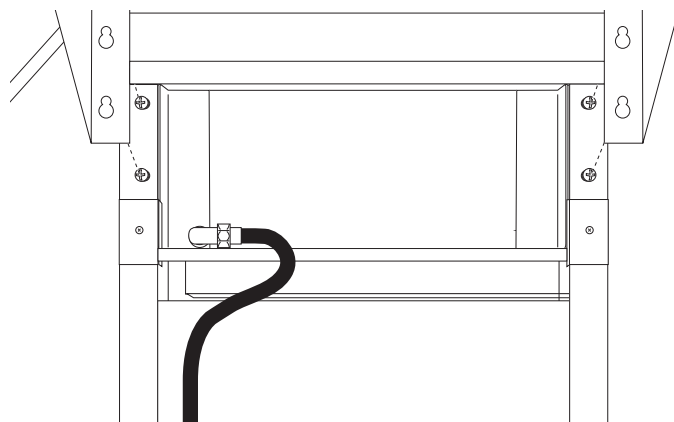
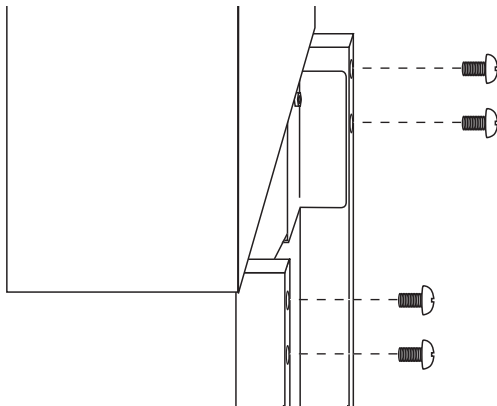
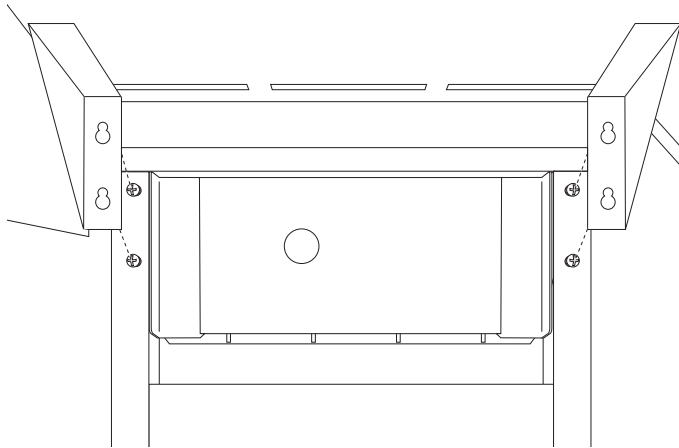
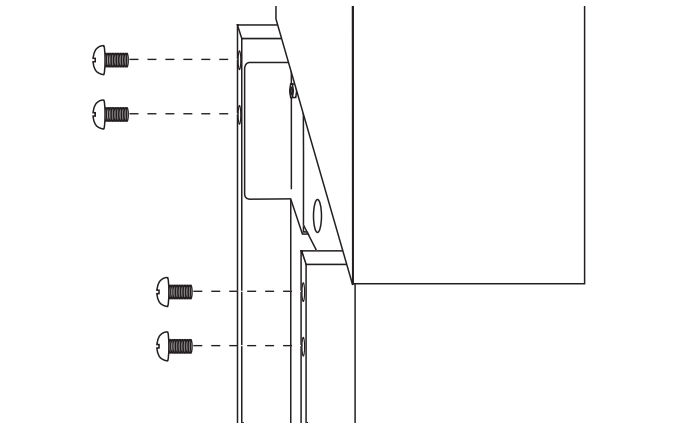
Placer le contenant à graisse au centre du trou dans la plaque pare-chaaleur.

Remarque: En exécutant l'étape 13, soulever le corps du grill par les panneaux avant et arrière pour éviter les blessures aux mains et aux doigts. Vous assurer de passer l'ensemble tuyau-régulateur au-dessus de la barre transversale du cadre du chariot.

Étape 13

Avec l'aide d'un ami, placer le corps du grill sur le cadre du chariot assemblé. Le corps du grill doit reposer sur le dessus en angle des supports verticaux. Aligner les trous sur l'extérieur du corps du grill. Fixer en place à l'aide de quatre boulons M6 X12 mm et de rondelles éventail.



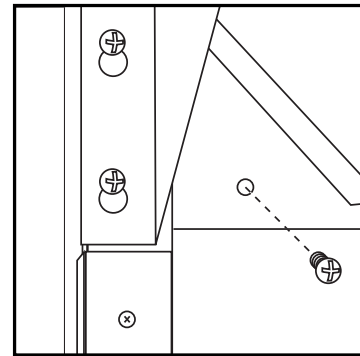


Étape 14

Fixer la tablette latérale au côté gauche du cadre du chariot. Insérer à moitié quatre boulons à tête bombée M6 X 12 mm dans le cadre du chariot.

Étape 15

Placer les trous en poire de la tablette sur les boulons et les abaisser, puis serrer solidement. Fixer le panneau avant de la tablette latérale au corps du grill à l'aide d'un boulon à tête bombée M6 X 12 mm.

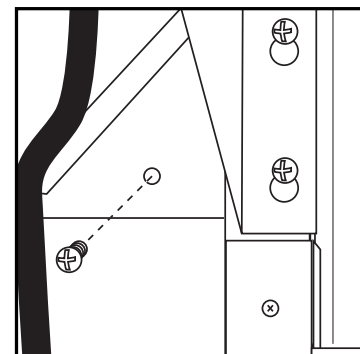


Étape 16

Fixer le brûleur latéral au côté droit du cadre du chariot. Insérer à moitié quatre boulons à tête bombée M6 X 12 mm dans le cadre du chariot.

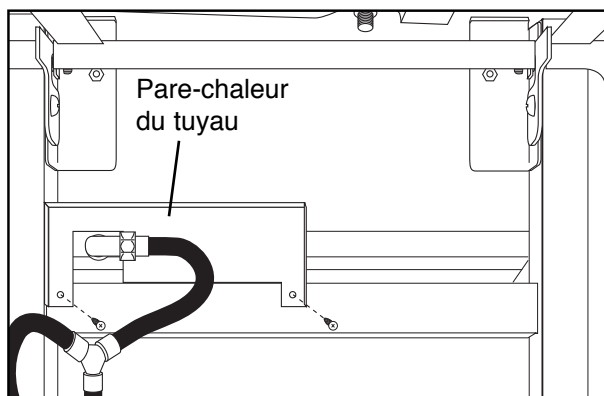
Étape 17

Placer les trous en poire du brûleur latéral sur les boulons et abaisser, puis serrer solidement. Fixer le panneau avant du brûleur latéral au corps du grill à l'aide d'un boulon à tête bombée M6 X 12 mm.



Étape 18

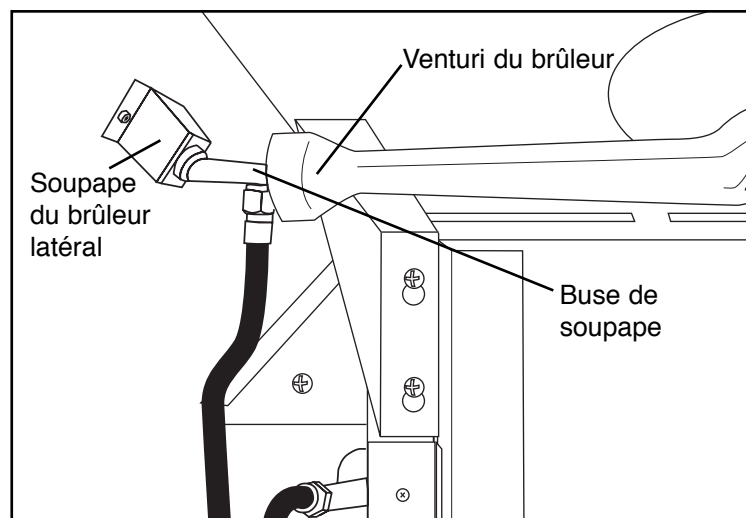
Fixer le pare-chaueur du tuyau au côté droit du cadre du chariot à l'aide de deux vis autotaraudeuses no 8.



Étape 19

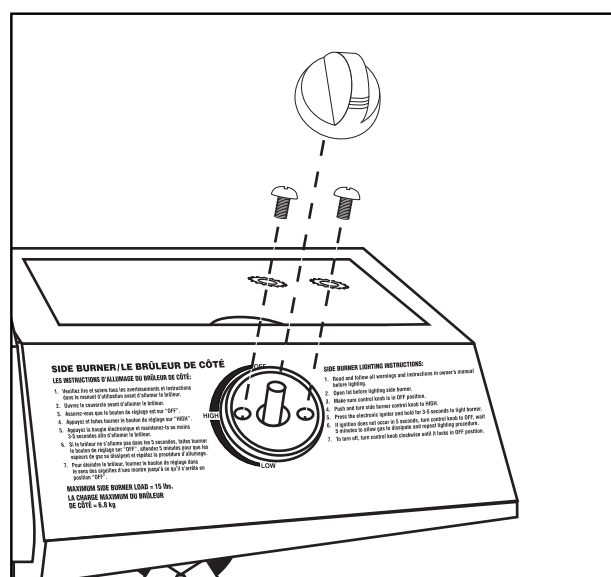
Retirer les deux boulons et les rondelles de la soupape du brûleur latéral. Glisser la soupape du brûleur latéral dans l'ouverture du panneau avant du brûleur latéral, puis insérer fermement la buse de la soupape dans le venturi du brûleur. Tenir en place pendant l'exécution de l'étape 20.

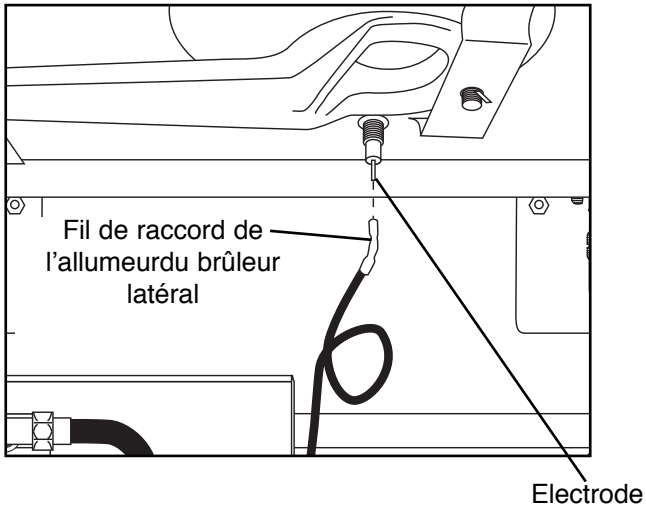
Mise en garde : ne jamais utiliser votre gril sans vérifier l'étanchéité de tous les raccords et les tuyaux de gaz. Consulter la section « Épreuves d'étanchéité » dans le présent guide pour connaître les procédures. (Voir page 40.)



Étape 20

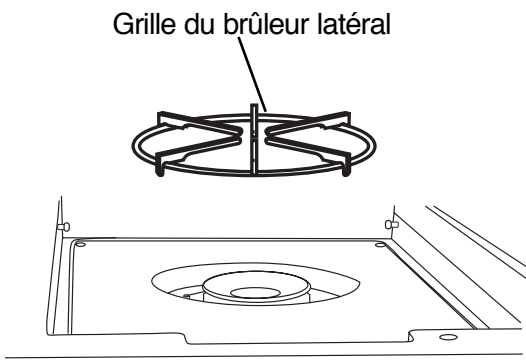
Placer le cadran sur la tige de montage du bouton de commande, au-dessus des trous faits dans la base du brûleur latéral et la soupape du brûleur latéral. Fixer à l'aide de deux boulons M4 avec les rondelles à ressort fournis avec la soupape. Installer ensuite le bouton de commande du brûleur latéral sur la tige de la soupape.





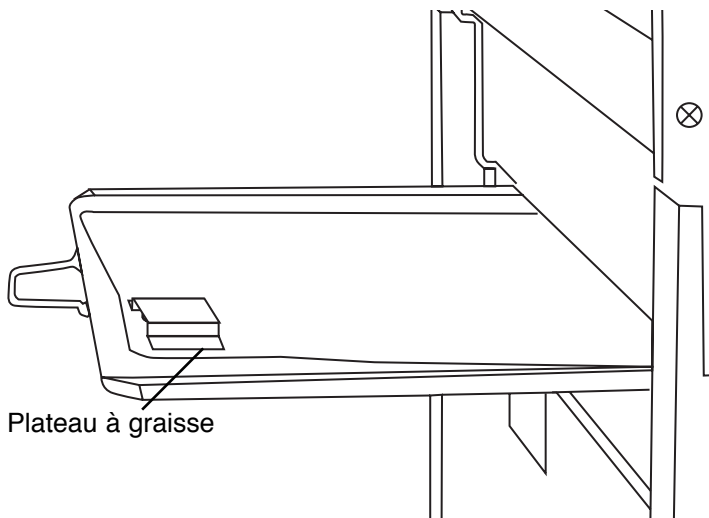
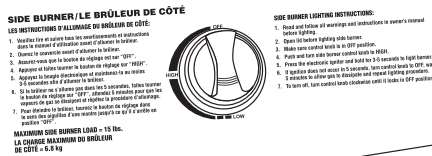
Étape 21

Fixer le fil de raccord de l'allumeur du brûleur latéral à l'électrode tel qu'illustré.



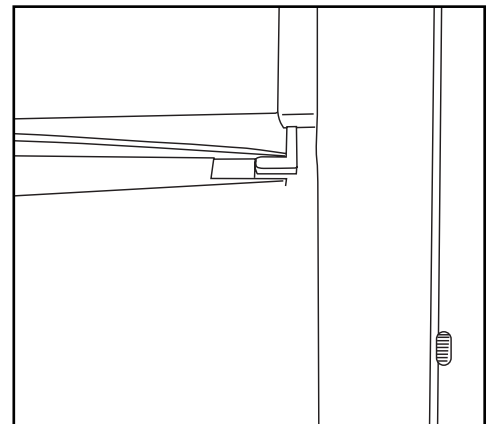
Étape 22

Placer la grille du brûleur latéral sur le brûleur.



Étape 23

Insérer le plateau à graisse dans l'ouverture à l'arrière du gril. Vous assurer de glisser le plateau sur les rails, tel qu'illustré.



Étape 24

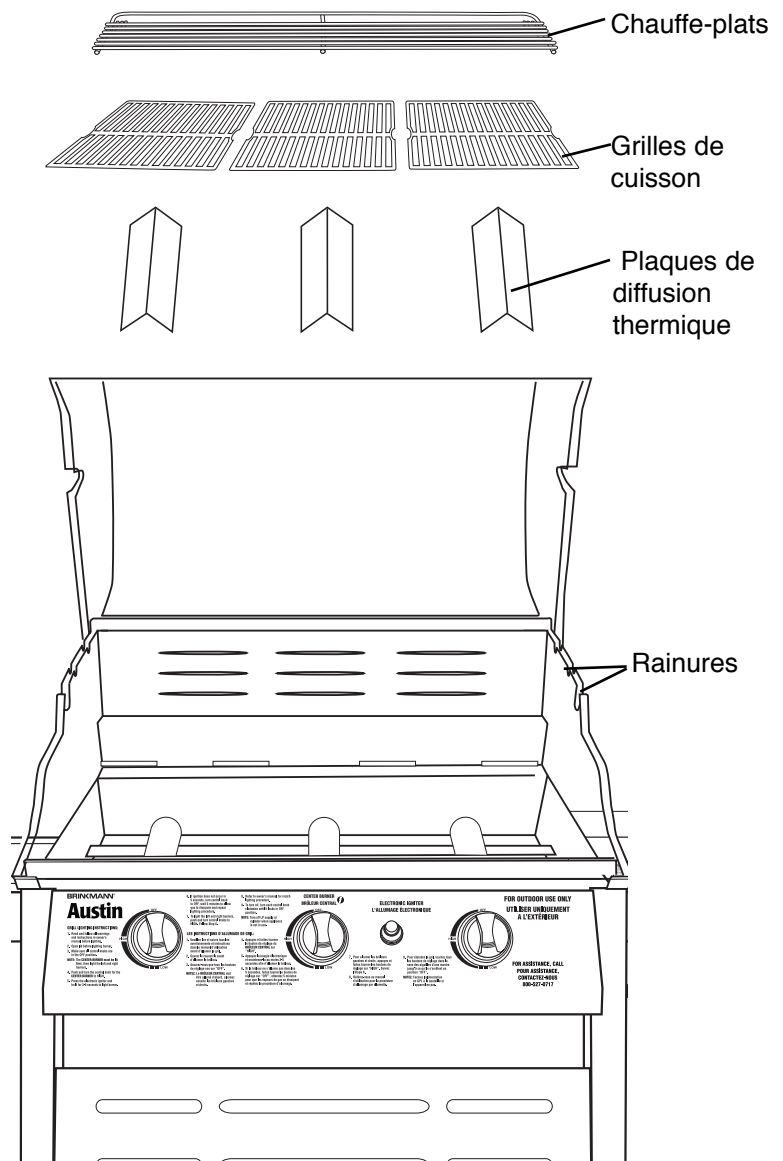
Placer les plaques de diffusion thermique revêtues dans la partie inférieure du corps du gril, directement au-dessus des brûleurs.

Étape 25

Placer les grilles de cuisson sur les nervures de soutien, directement au-dessus des plaques de diffusion thermique revêtues.

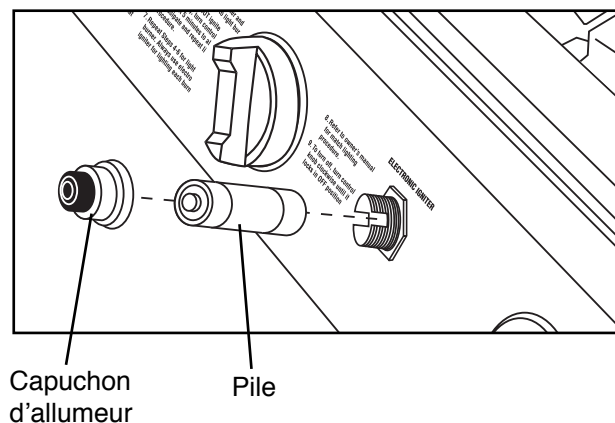
Étape 26

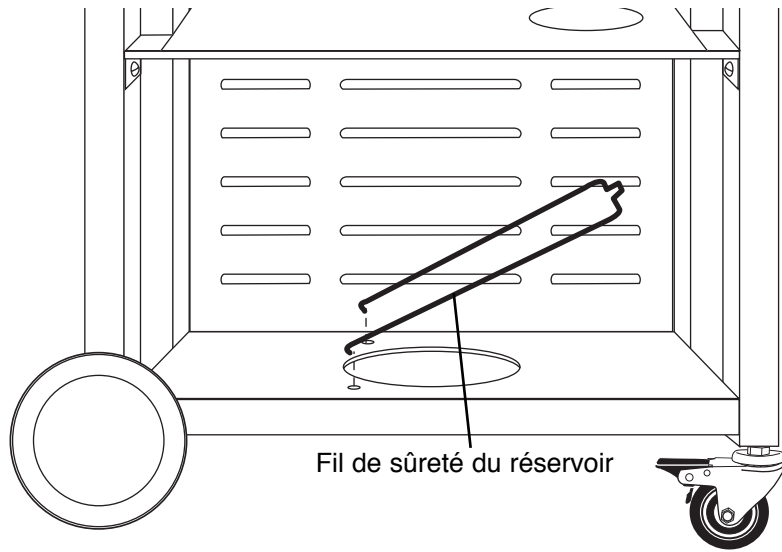
Placer le chauffe-plats dans les rainures de manière qu'il s'appuie au-dessus des grilles de cuisson



Étape 27

Retirer le capuchon de l'allumeur et insérer la pile, le pôle positif de la pile vers le capuchon de l'allumeur. Remettre le capuchon de l'allumeur en place et vous assurer que l'allumeur fonctionne correctement.

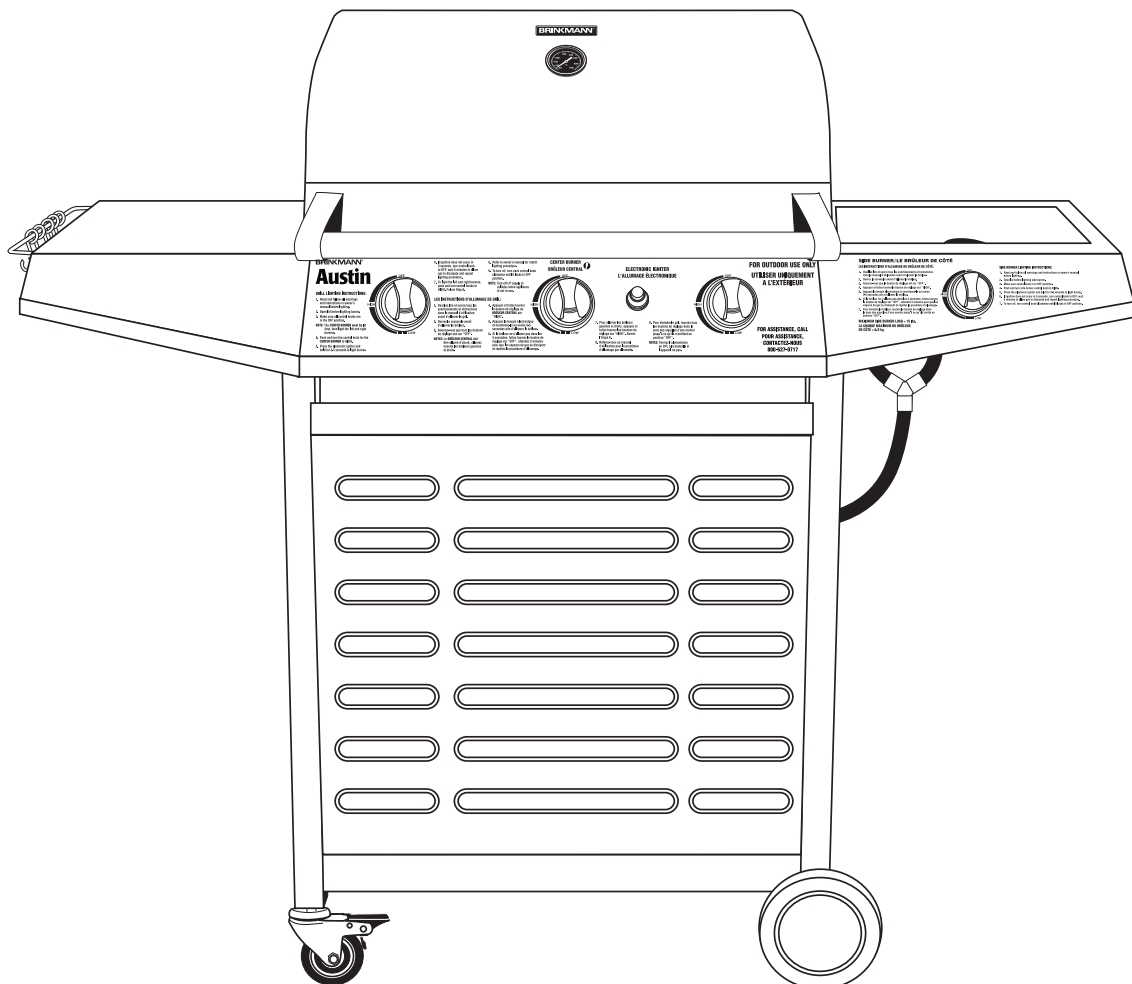




Étape 28

Insérer le fil de sûreté du réservoir par les deux petits trous dans la base du chariot, tel qu'illustré.

ProSeries 6330 (assemblé)

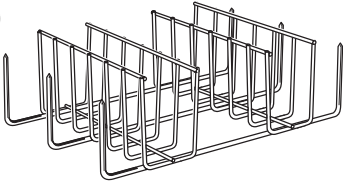


ACCESSORIES

RIB RACK

Chrome-plated rack can greatly increase the cooking capacity of your grill. Holds ribs, chicken halves, potatoes and corn vertically to triple cooking capacity. Allows smoke, steam and heat to penetrate food evenly.

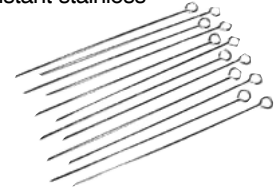
812-3310-0



PROFESSIONAL SHISH-KABOB SKEWERS

These heavy-duty, 18" shish-kabob skewers are extra-long for fabulous restaurant style kabobs. Made of rust resistant stainless steel to last for years.

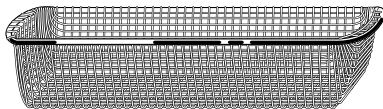
SET OF 12
812-2904-0



MEATLOAF BASKET

The unique basket weave prevents meatloaf from falling through the grill while allowing smoke, steam and heat to flow into the food. Also, provides a convenient method for lifting your meatloaf in and out of the smoker.

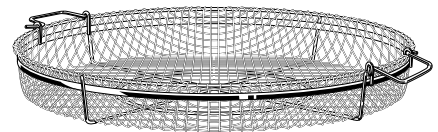
812-0073-0



SMOKER BASKET

The unique basket weave prevents food from falling through the grill while allowing smoke, steam and heat to flow into the food. Great for fish, shrimp, vegetables and hors d'oeuvres.

812-3333-0



CHICKEN AND TURKEY RACKS

These chromed steel racks hold chicken, cornish hen, duck or turkey upright and are ideal for smoking, grilling or oven roasting poultry. The rack allows the meat to cook from the inside as well as from the outside. This speeds up cooking time, seals in flavorful juices and promotes even browning of skin. It's a low fat way to cook poultry because excess fat drips off the meat. When oven roasting, place poultry on rack in a shallow pan of water to steam baste to tender perfection. When grilling or smoking, simply place poultry on rack atop the grill. Makes carving easier, too.

CHICKEN RACKS (SET OF TWO)

885-9015-0

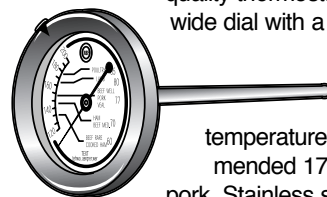
TURKEY RACK

885-9025-0



COMMERCIAL-QUALITY MEAT THERMOMETER

An essential tool when cooking all types of meat. Get perfectly smoked roasts, briskets and turkeys without cutting into the meat. Commercial-quality thermostat features an easy-to-read 2 3/4" wide dial with a 5 1/4" stem. Features Fahrenheit and Centigrade readings and National Livestock and Meat Board recommended temperatures. Also features the newly recommended 170°F internal temperature for fresh pork. Stainless steel construction and dishwasher safe.



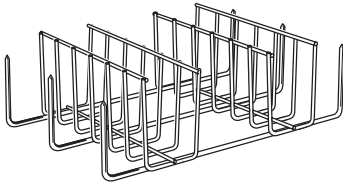
812-4100-0

ACCESSORIES

PANIER À CÔTES

Ce panier chromé peut accroître grandement la capacité de cuisson de votre gril. Maintient en position verticale les côtes, les moitiés de poulet, les pommes de terre et les épis de maïs pour tripler la capacité de cuisson. Permet à la fumée, à la vapeur et à la chaleur de pénétrer les aliments de manière uniforme.

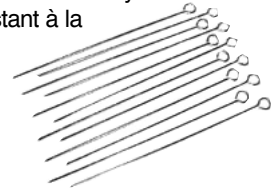
812-3310-0



BROCHETTES À CHICHE-KEBAB PROFESSIONNELLES

Ces brochettes à chiche-kebab extra robustes de 18 po sont très longues pour préparer de fabuleuses brochettes de style restaurant. Faites d'acier inoxydable résistant à la corrosion pour durer des années.

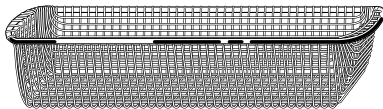
**JEU DE 12
812-2904-0**



PANIER POUR PAIN DE VIANDE

Le natté exclusif empêche le pain de viande de glisser à travers la grille tout en permettant à la fumée, à la vapeur et à la chaleur de pénétrer les aliments. De plus, il constitue une méthode de pratique de soulever votre pain de viande à l'intérieur et à l'extérieur du fumoir.

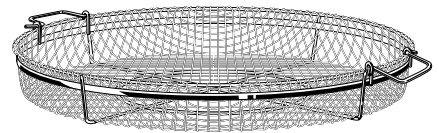
812-0073-0



PANIER DE FUMOIR

Le natté exclusif empêche les aliments de glisser à travers la grille tout en permettant à la fumée, à la vapeur et à la chaleur de pénétrer les aliments. Excellent pour le poisson, les crevettes, les légumes et les hors-d'oeuvre

812-3333-0

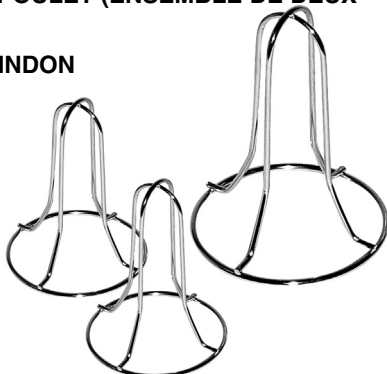


SUPPORTS POUR POULET ET DINDE

Ces supports chromés maintiennent le poulet, le poulet de Cornouailles, le canard ou le dindon en position verticale et ils sont idéaux pour fumer, griller ou rôtir la volaille. Le support permet à la viande de cuire aussi bien de l'intérieur que de l'extérieur, ce qui réduit le temps de cuisson, emprisonne les jus savoureux et assure une peau dorée uniforme. C'est une méthode de cuisson à faible teneur en gras de la volaille car l'excès de gras s'égoutte de la viande. Pour rôtir, placer la volaille sur le support dans un plat d'eau peu profond pour cuire à la vapeur à la perfection. Pour griller ou fumer, placer simplement la volaille sur le support, sur la grille. Facilite le dépeçage également.

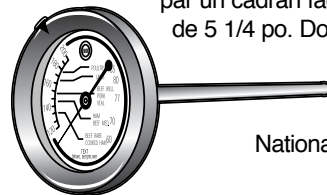
**SUPPORTS POUR POULET (ENSEMBLE DE DEUX)
885-9015-0**

**SUPPORT POUR DINDON
885-9025-0**



THERMOMÈTRE À VIANDE DE QUALITÉ COMMERCIALE

Outil essentiel lorsque vous apprêtez tous les types de viande. Obtenez des rôtis, des pointes de poitrine et des dindons fumés à la perfection sans avoir à couper la viande. Ce thermomètre de qualité commerciale se distingue par un cadran facile à lire de 2 3/4 po sur une tige de 5 1/4 po. Donne les indications en Fahrenheit et en Centigrade et il indique les températures recommandées par le National Livestock and Meat Board. Il se caractérise



également par la température interne de 170 °F recommandée récemment pour le porc frais. Fait d'acier inoxydable, il va au lave-vaisselle.

812-4100-0

WARRANTY

The Brinkmann Corporation warrants to the original purchaser that the ProSeries™6330 Stainless Steel Gas Grill is free from defects due to workmanship or materials for:

- Stainless Steel and Die cast parts - Lifetime
- Electronic ignition and burners - 1 Year
- Remaining parts - 1 Year

The Brinkmann Corporation's obligations under this warranty are limited to the following guidelines:

- This warranty does not cover grills that have been altered or damaged due to: normal wear, rust, abuse, improper maintenance, improper use, disassembly of parts and/or attempted repair by anyone other than an authorized employee of The Brinkmann Corporation.
- This warranty does not cover surface scratches, rust or heat damage to the finish, which is considered normal wear.
- The Brinkmann Corporation may elect to repair or replace damaged units covered by the terms of this warranty.
- This warranty extends to the original purchaser only and is not transferable or assignable to subsequent purchasers.

The Brinkmann Corporation requires reasonable proof of purchase. Therefore, we strongly recommend that you retain your sales receipt or invoice. To obtain replacement parts for your ProSeries™6330 Stainless Steel Gas Grill under the terms of this warranty, please call Customer Service Department at 800-527-0717. **A receipt will be required. The Brinkmann Corporation will not be responsible for any grills forwarded to us without prior authorization.**

EXCEPT AS ABOVE STATED, THE BRINKMANN CORPORATION MAKES NO OTHER EXPRESS WARRANTY.

THE IMPLIED WARRANTIES OF MERCHANTABILITY AND FITNESS FOR A PARTICULAR PURPOSE ARE LIMITED IN DURATION TO THOSE LISTED ABOVE FROM THE DATE OF PURCHASE. SOME STATES DO NOT ALLOW LIMITATIONS ON HOW LONG AN IMPLIED WARRANTY LASTS, SO THE ABOVE LIMITATION MAY NOT APPLY TO YOU.

ANY LIABILITY FOR INDIRECT, INCIDENTAL OR CONSEQUENTIAL DAMAGES ARISING FROM THE FAILURE OF THE PROSERIES™6330 STAINLESS STEEL GAS GRILL TO COMPLY WITH THIS WARRANTY OR ANY IMPLIED WARRANTY IS EXCLUDED. CUSTOMER ACKNOWLEDGES THAT THE PURCHASE PRICE CHARGED IS BASED UPON THE LIMITATIONS CONTAINED IN THE WARRANTY SET OUT ABOVE. SOME STATES DO NOT ALLOW THE EXCLUSION OR LIMITATION OF INCIDENTAL OR CONSEQUENTIAL DAMAGES, SO THE ABOVE LIMITATION OR EXCLUSION MAY NOT APPLY TO YOU. THIS WARRANTY GIVES YOU SPECIFIC LEGAL RIGHTS, AND YOU MAY ALSO HAVE OTHER RIGHTS WHICH VARY FROM STATE TO STATE.

GARANTIE

The Brinkmann Corporation garantit le grill à gaz en acier inoxydable Brinkmann ProSeries™6330 contre les défauts de fabrication et de matières à l'acheteur initial pour les durées suivantes:

- Pièces en acier inoxydable et coulées sous pression – à vie
- Allumage électronique et brûleurs – 1 an
- Autres pièces – 1 an

Aux termes de la présente garantie, les obligations de The Brinkmann Corporation se limitent à ce qui suit:

- La présente garantie ne couvre pas les grills altérés ou endommagés par suite de l'usure normale, de la rouille, d'une maltraitance, d'un entretien ou d'une utilisation incorrects, d'un démontage de pièces et/ou de tentative de réparation par quiconque autre qu'un employé habilité de The Brinkmann Corporation.
- La présente garantie ne couvre pas les rayures superficielles, la rouille ni les dégâts causés par la chaleur à la finition, qui sont considérés comme faisant partie de l'usure normale.
- The Brinkmann Corporation peut choisir de réparer ou de remplacer les appareils endommagés couverts par les termes de la présente garantie.
- La présente garantie ne bénéficie qu'à l'acheteur initial et ne peut être transférée ni cédée aux acheteurs ultérieurs.

The Brinkmann Corporation exige une preuve raisonnable de l'achat. Par conséquent, nous recommandons vivement de conserver le ticket de caisse ou la facture. Pour obtenir des pièces de rechange destinées au grill à gaz en acier inoxydable Brinkmann ProSeries™6330 aux termes de la présente garantie, bien vouloir appeler le service clientèle au 800-527-0717. **Un ticket de caisse sera demandé. The Brinkmann Corporation ne sera responsable d'aucun grill qui lui sera envoyé sans autorisation préalable.**

LA GARANTIE OFFERTE PAR THE BRINKMANN CORPORATION NE COUVRE EXPRESSÉMENT QUE CE QUI PRÉCÈDE.

LES GARANTIES TACITES DE VALEUR COMMERCIALE ET D'ADAPTATION À UN USAGE PARTICULIER SONT LIMITÉES EN TERMES DE DURÉE AUX DURÉES SUSMENTIONNÉES À COMPTER DE LA DATE DE L'ACHAT. CERTAINES PROVINCES INTERDISENT DE LIMITER LA DURÉE D'UNE GARANTIE TACITE. LA LIMITE QUI PRÉCÈDE PEUT PAR CONSÉQUENT NE PAS ÊTRE OPPOSABLE À L'ACHETEUR.

TOUTE RESPONSABILITÉ POUR DES DOMMAGES INDIRECTS, FORTUITS OU CONSÉQUENTS DUS À L'INOBSERVATION PAR L'ACHETEUR DU GRIL À GAZ EN ACIER INOXYDABLE BRINKMANN PROSERIES™6330 DES TERMES DE LA PRÉSENTE GARANTIE OU DE TOUTE GARANTIE TACITE EST EXCLUE. LE CLIENT RECONNAÎT QUE LE PRIX D'ACHAT FACTURÉ EST BASÉ SUR LES LIMITES INDIQUÉES DANS LES MODALITÉS CI-DESSUS. CERTAINES PROVINCES INTERDISENT D'EXCLURE OU DE LIMITER LES DOMMAGES FORTUITS OU CONSÉQUENTS. LA LIMITE OU L'EXCLUSION QUI PRÉCÈDE PEUVENT PAR CONSÉQUENT NE PAS ÊTRE OPPOSABLES À L'ACHETEUR. LA PRÉSENTE GARANTIE CONFÈRE DES DROITS PRÉCIS MAIS L'ACHETEUR PEUT ÉGALEMENT JOUIR D'AUTRES DROITS QUI VARIENT D'UNE PROVINCE À L'AUTRE.